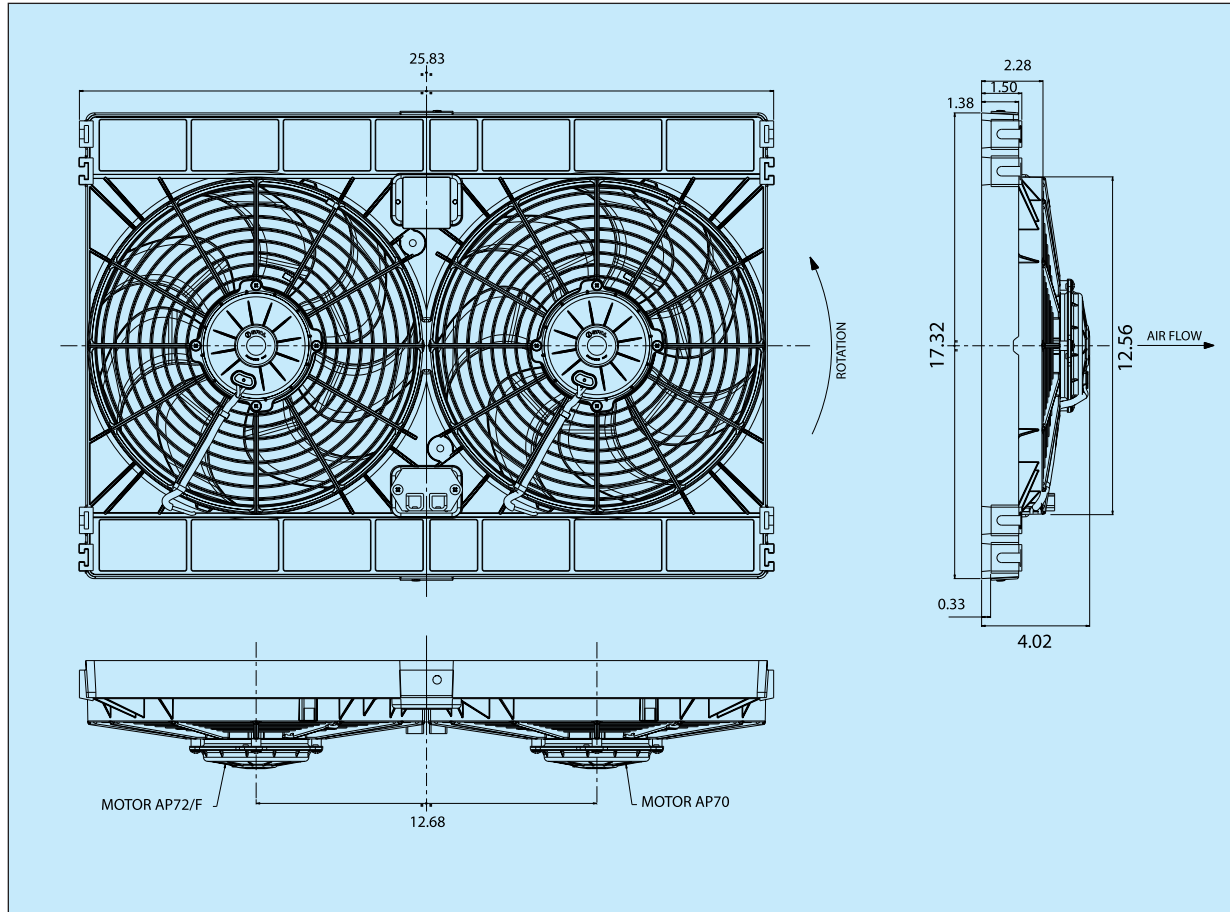


Part Number 30102130	Type 2VA50-AP70/LL - AP72/LL/F-66A Pull	Fan Diameter 12-inches
-------------------------	--	---------------------------



Test Voltage 13V DC



* Weight 5.1 Kg
11.25 lbs. approx.

* High Airflow

* Long Life

* Low Fan Noise



Static Pressure in H ₂ O	Pull	Push
	Airflow cfm	Current Input A
0	3168	39.2
0.1	2991	40.1
0.2	2876	42.1
0.3	2692	42.4
0.4	2508	43.4
0.5	2305	44.2
0.6	2069	44.8
0.7	1863	45.9
0.8	1664	45.8
1.0	1271	48.6

Static Pressure: 1 mm H₂O = 0.04 in. H₂O
Airflow: 1 m³/h = 0.59 cfm