

JEEP WRANGLER WINCH BAR

No 3450070

To suit the following winches:

- Warn M8000lb
- Warn XD9000lb
- Warn XD9000I
- Ramsey Pro 9000

WARNING

FOR VEHICLES EQUIPPED WITH SRS AIRBAG
WHEN INSTALLED IN ACCORDANCE WITH THESE INSTRUCTIONS, THE FRONT PROTECTION BAR DOES NOT AFFECT OPERATION OF THE SRS AIRBAG.

TAKE NOTE OF THE FOLLOWING:

- **THIS PRODUCT MUST BE INSTALLED EXACTLY AS PER THESE INSTRUCTIONS USING ONLY THE HARDWARE SUPPLIED.**
- **DO NOT USE THIS PRODUCT FOR ANY VEHICLE MAKE OR MODEL, OTHER THAN THOSE SPECIFIED BY ARB.**
- **DO NOT REMOVE LABELS FROM THIS BULL BAR.**
- **THIS PRODUCT OR ITS FIXING MUST NOT BE MODIFIED IN ANY WAY.**

FITTING KIT No 6171243

5846254	1	PACKER (89 X 40mm)
5846255	1	PACKER (50 DIA 14mm SLOT)
3751634	1	BRACKET NUMBER PLATE
3751635	1	BRACKET CONTROL BOX
6151100	6	BOLT 1/2" x 1 1/2"
4581049	6	WASHER FLAT 1/2"
4581050	6	WASHER SPRING 1/2"
6151017	4	BOLT M6 X 16mm
4581035	4	WASHER FLAT M6
6151128	4	NUT FLANGE M6
6151021	2	BOLT M8 X 20mm
4581044	2	WASHER FLAT M8
6151132	2	NUT FLANGE M8
4581040	4	WASHER FLAT M10
3500080	1	INDICATOR LIGHT KIT

TOOLS REQUIRED

Basic tool kit

PROCEDURE

1. Fit the number plate bracket to the number plate mount holes on the front of the winch bar using the M6 x 16mm bolts, flat washers and flange nuts (2 of each item). Refer to diagram 1.
2. Install the roller fairlead to the front of the winch bar using the bolts, nuts and spring washers supplied by Warn. Refer to diagram 1.
3. Fit the indicators to the bar and Scotchlok to the original indicator loom.
4. Remove the bumper from the vehicle.
5. Slide the winch bar onto the chassis rails. On certain vehicles, the winch bar may not be correctly aligned to the front of the vehicle. If this occurs, fit the packers between the chassis and the winch bar chassis brackets for correct alignment. Otherwise, discard these packers.
6. Secure the winch bar into place using the ½" x 1/1/2" bolts, flat washers and spring washers (3 of each item per side). Note: the bolts fit into ½" nuts welded on the chassis. Tighten all the bolts. Refer to diagram 2.
7. Carefully lower the winch through the top of the bar cutout. Secure using the bolts supplied by Warn and the M10 washers supplied in the ARB fitting kit. Refer to the Warn installation instructions for the correct procedure. Adjust the winch in the slots until the winch clutch lever can rotate freely in the opening on the winch bar. Connect the winch control box cables to the winch motor. Refer to the Warn handbook for additional information. Connect the long winch + & - cables to the vehicle after the winch bar has been installed. **Refer to the Warn winch manual for the vehicle wiring instructions.**
8. Fit the control box bracket to the bar using the M8 x 20mm bolts, flat washers and flange nuts (2 of each item).
9. Fit the control box to the control box bracket and wire up as per Warn instructions. Pull the winch cable through the roller fairlead and attach to the winch bar tow point.
10. Fit the number plate to the number plate bracket using the M6 bolts, flat washers and flange nuts (2 of each item).

DIAGRAM 1

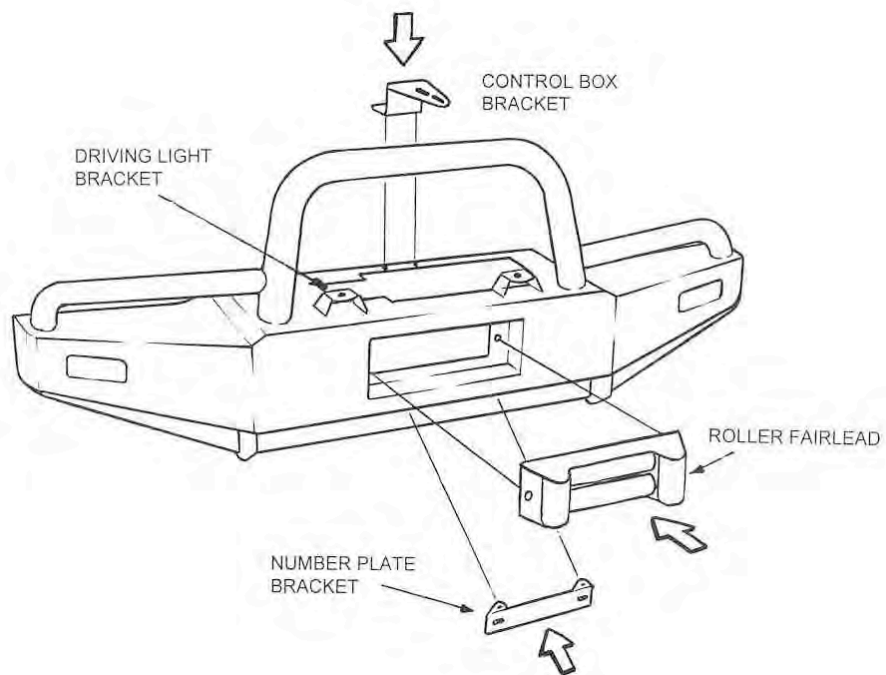


DIAGRAM 2

