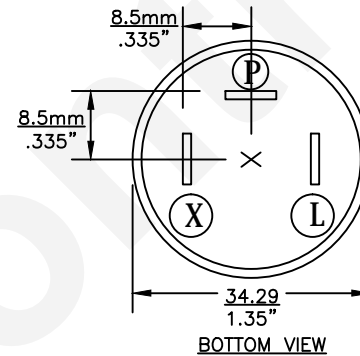
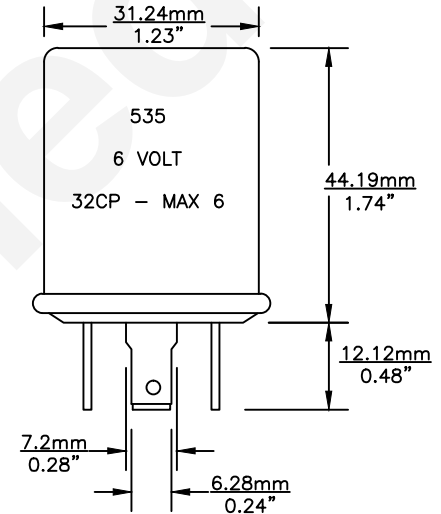
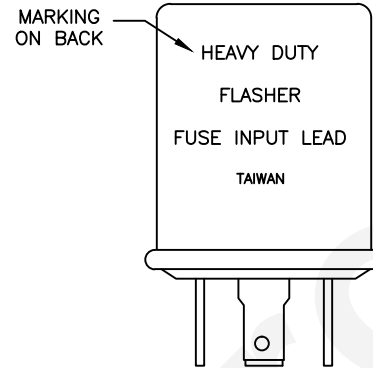
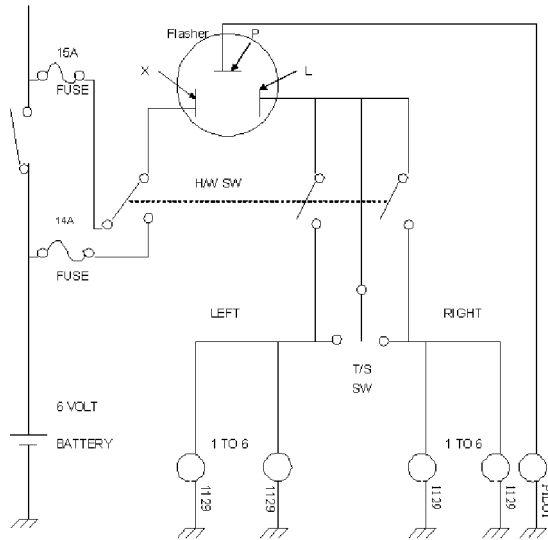


| PART NO. | NO. OF TERMINALS | TYPE                  | STYLE | Volt Capacity |
|----------|------------------|-----------------------|-------|---------------|
| TF535    | 3                | Combination TS&Hazard | Round | 6 V           |

| REVISIONS |                           |            |          |
|-----------|---------------------------|------------|----------|
| REV       | Description               | Date       | Approval |
| 1         | ISSUED                    | 5/23/2002  | A.S.     |
| 2         | VERIFIED DIMENSIONS       | 01/19/2004 | A.S.     |
| 3         | DIAGRAM AND MARKING ADDED | 1/17/2008  | D.C.     |
| 4         | REDRAWN                   | 05/25/2016 | R.M.     |

### TF535 CIRCUIT DIAGRAM



**Specifications:** FMVSS108, SAE J590b & J945

**Shell Construction:** Aluminum

**Rated Load:** 2 to 6 SAE Number 1129 Lamps  
1 or 2 SAE Number 55 Lamps for Pilot.

**Lamp Ratings:** No. 1129 2.63 Amps. at 6.4 Volts  
No. 55 0.41 Amps at 7.0 Volts

**Temperature Operating Range:** -10°F to 140° F

**Rated Voltage:** 5.0 - 7.0 Volts DC.

**Voltage Drop at Rated Current:** 500 mv

**Time to First Flash:** Less than 1.5 seconds.

**Flash Rate over Temperature Range:** 60 to 120 Flash Per Minute

**Duty Cycle:** 35% to 75%

**Electrical Source:**

14 amps. Fused circuit recommended.

L Terminal = Load (Lamp Output)

X Terminal = Battery (Power Input)

P Terminal = Pilot Lamp.

UNLESS OTHERWISE SPECIFIED:  
DIMENSIONS ARE IN INCHES  
TOLERANCES

|             |         |
|-------------|---------|
| DECIMALS    | ANGULAR |
| .XX ± .05   | ± 0.5°  |
| .XXX ± .010 |         |
| FRACTIONAL  | ±1/64   |

CEC INDUSTRIES LTD

599 BOND STREET

LINCOLNSHIRE, IL 60069

TITLE

THERMAL FLASHER TF535

|                           |                  |
|---------------------------|------------------|
| DRAWN<br>Anna Soloveychik | DATE<br>05/23/02 |
|---------------------------|------------------|

|           |          |                  |          |
|-----------|----------|------------------|----------|
| SIZE<br>A | FSCM NO. | DWG NO.<br>TF535 | REV<br>4 |
|-----------|----------|------------------|----------|

|         |  |
|---------|--|
| CHECKED |  |
|---------|--|

|        |  |
|--------|--|
| DESIGN |  |
|--------|--|

|       |            |              |
|-------|------------|--------------|
| SCALE | PLOT SCALE | SHEET 1 OF 1 |
|-------|------------|--------------|

|          |                   |                      |
|----------|-------------------|----------------------|
| MATERIAL | FILE<br>TF535.dwg | DO NOT SCALE DRAWING |
|----------|-------------------|----------------------|