



QUALITY... PLAIN & SIMPLE®

TH-400 Electric Kickdown Kit Instructions
Part# KD-2400HT

TH-400 Electric Kickdown Kit Instructions

Part# KD-2400HT

Building American Quality... With A Lifetime Warranty!

10924 Murdock Dr. • Knoxville, TN 37932 • (865) 966-2269 • FAX (865) 671-1999 • tech@lokar.com • www.lokar.com

General Installation Notes:

Please read instructions completely before beginning installation. If you have any questions please don't hesitate to call.

WARNING: Do not attempt to install kickdown kit while engine is running. Be sure engine, body and frame are grounded properly.

NOTE: Disconnect battery before beginning installation.

TH-400 Electric Kickdown Kit Installation

Step 1: Remove back cover of the aluminum switch box and remove slide trigger and inner cable.

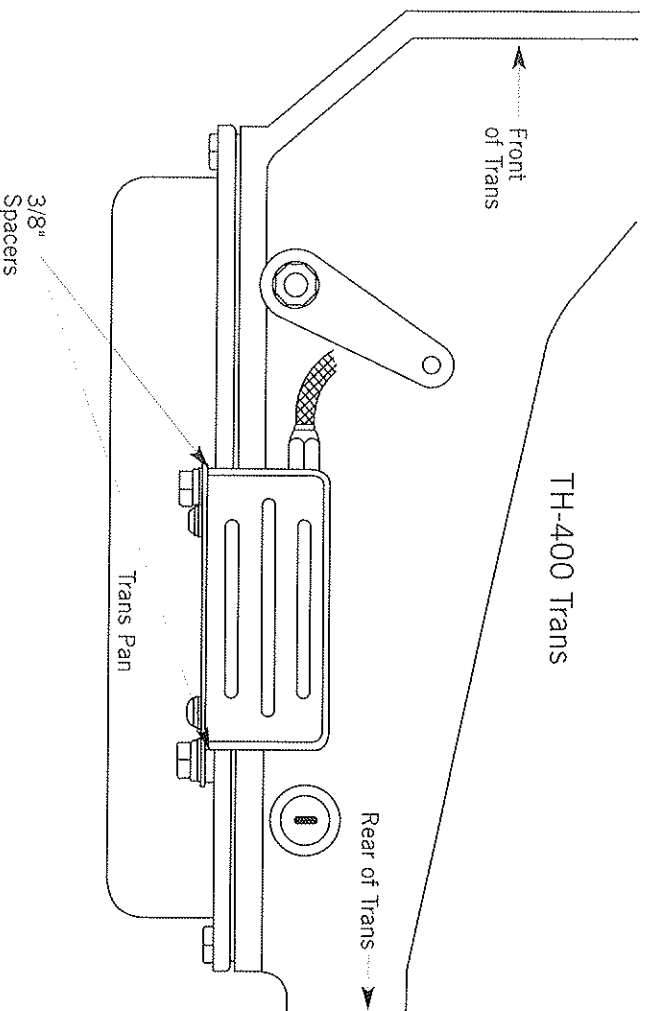
Step 2: Mount aluminum switch box to bottom of transmission as shown in *Fig. 1*. Route outer housing up to carburetor, using Lokar's Carburetor and Return Springs, Kit No. SRK-4000. Mount kickdown bracket as shown in *Fig. 3* and cut housing to desired length.

Step 3: Reinstall inner cable and slide trigger now.

Step 4: Install wires to switch. Use 5 amp (minimum) key on hot wire to one side of switch. Connect second side of switch to the vertical terminal on trans as shown in *Fig. 2*. **NOTE: Transmissions may have either one or two terminals.**

- Step 5:** Install carb hex fitting to carb as shown in *Fig. 3*.
- Step 6:** Slide kickdown end stop onto inner cable.
- Step 7:** Open carburetor to "wide open" position and pull inner wire **TIGHT** and slide kickdown end stop back against carb hex fitting. Tighten setscrew.
- Step 8:** Leave 1" of inner cable past cable stop. Make fine adjustments with carb adjuster.
- Step 9:** When satisfied with kickdown, cut off excess cable that is past cable stop.

Figure 1





QUALITY... PLAIN & SIMPLE®

TH-400 Electric Kickdown Kit Instructions
Part# KD-2400HT

TH-400 Electric Kickdown Kit Instructions

Part# KD-2400HT

Building American Quality... With A Lifetime Warranty!

10924 Murdock Dr. • Knoxville, TN 37932 • (865) 966-2269 • FAX (865) 671-1999 • tech@lokar.com • www.lokar.com

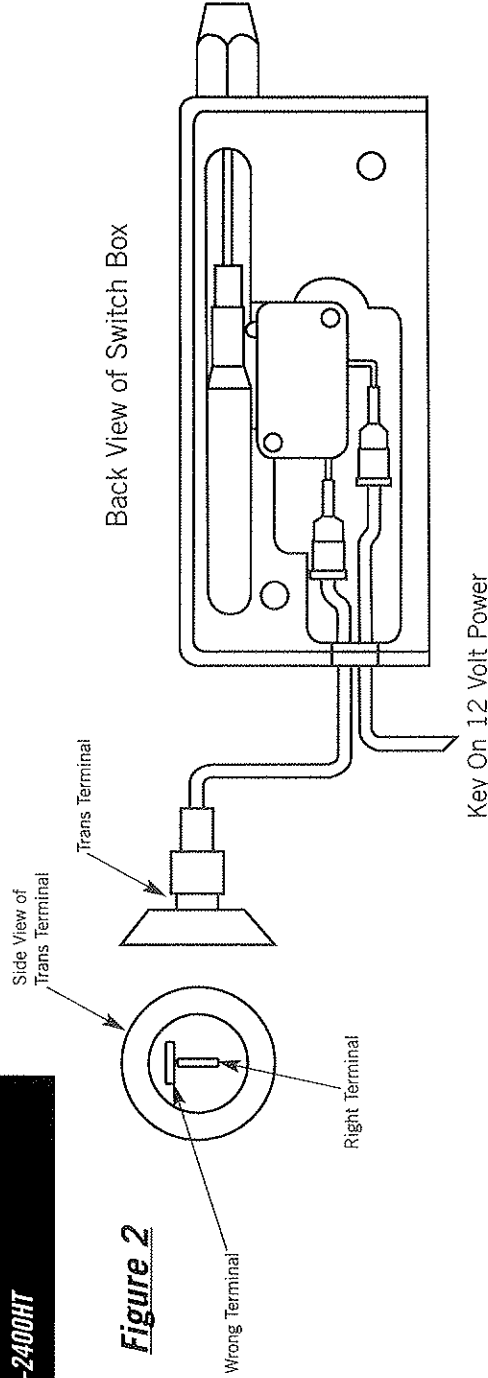


Figure 2

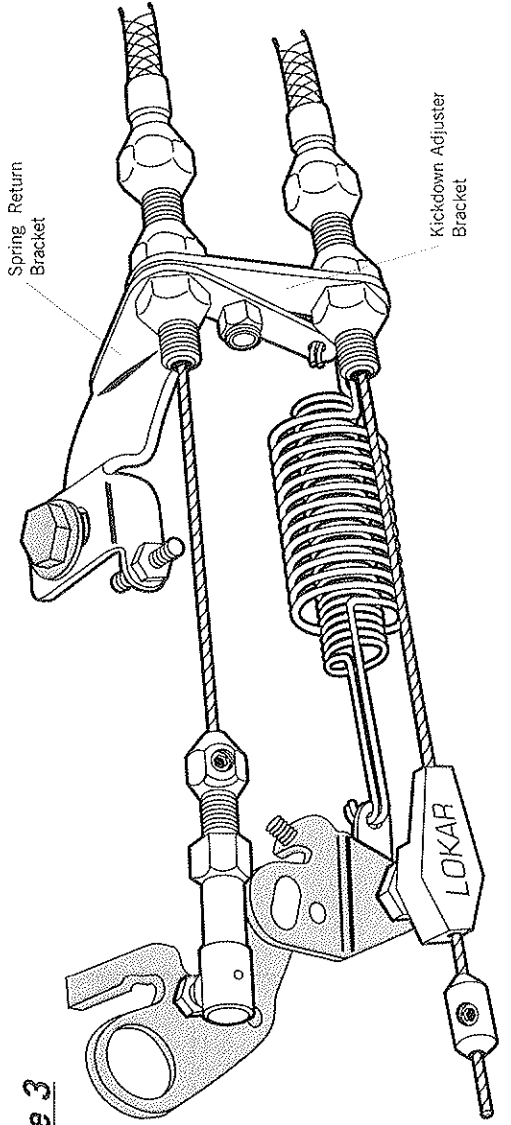


Figure 3