



**INSTALLATION INSTRUCTIONS**  
**BODY ARMOR 4X4 ROOF RACK PN JK-6124 (4 Door) JK-6125 (2 Door)**  
**07-CURRENT JEEP WRANGLER J/K**

**PARTS LIST:**

1	Driver Front Upright	6	Peel & Stick Foam Gaskets for Front Legs and Short Rear Mounting Brackets
1	Passenger Front Upright	6	12mm Rubber Plug/Grommets
1	Driver Rear Top leg	2	ST # 5 x 30mm Sheet metal Screw
1	Passenger Rear Top Leg	4	12-1.75mm x 35mm Hex Head Bolts
1	Driver Rear Bottom Leg	4	12mm ID x 32mm OD x 3mm Flat Washers
1	Passenger Rear Bottom Leg	4	12mm Lock Washers
2	Short Rear Mounting Bracket (optional drill mount) <b>(A)</b>	4	10-1.50mm x 35mm Hex Head Bolts
2	Metal Plates (optional drill mount) <b>(B)</b>	4	10mm ID x 27mm OD x 3mm Flat Washers
1	Front Cross Bar / Light Bar (4 light tabs)	4	10mm Lock Washers
1	Rear Cross Bar / Light Bar (2 light tabs)	2	ST 9.8mm OD x 5.4mm ID x 1.1mm Flat Washers
2	Side Rails (One Driver side one Passenger side)	10	8-1.25mm x 65mm Allen Bolts
2	12mm Double Nut Plates <b>(C)</b>	12	8-1.25 x 35mm Hex Bolts Grade 10.9
2	Rubber Bumpers	8	8mm x 25.5mm OD x 3mm Thick Flat Washers
2	2" Plastic caps for bottom of front legs	44	8mm x 17mm OD x 1.5mm Thin Flat Washers
14	8mm Nylock Nuts	8	8mm Lock Washers

**CAUTION:** Recommended load rate is 350 lb. too much weight will greatly reduce the stability of your vehicle and increase the vehicle's tendency to overturn. The manufacturer makes no representation or warranty as to the amount of weight that your vehicle can safely carry. For guidance, we recommend that you consult the vehicle manufacturer. Secure all payloads properly for safe transportation. The Rock Crawler Roof Rack is NOT designed as a roll over roll bar.

**NOTE:** The Rock Crawler Roof Rack is designed for vehicles with aftermarket bumpers and will not work with your factory bumper without drilling into the body.



Front leg driver



Front leg passenger



Rear upper leg driver



Rear upper leg passenger



Rear lower leg driver



Rear lower leg passenger



(B)



(A)



(C)



Rubber Bumper



Front light bar



Rear light bar



Driver side sidetube



Passenger side sidetube

REMOVE CONTENTS FROM BOX. VERIFY ALL PARTS ARE PRESENT. READ INSTRUCTIONS CAREFULLY BEFORE STARTING INSTALLATION. DRILLING IS OPTIONAL. DO NOT TIGHTEN ANY HARDWARE UNTIL THE ROOF RACK IS FULLY ASSEMBLED.

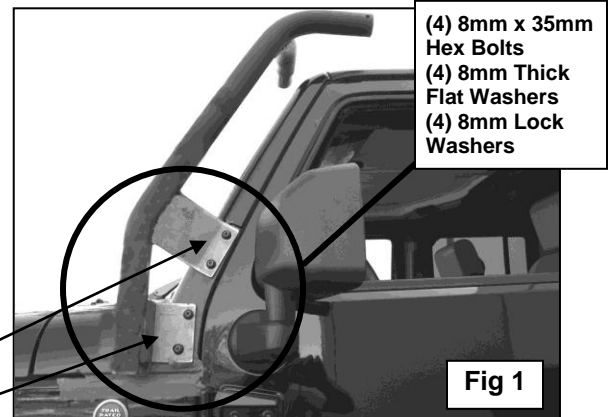
*\*\* If you are adding auxiliary lights on either the front or rear light bar, it is recommended that you pre-wire the light bars and the passenger side front and rear uprights before assembly. If you wish to hide the wires you can be fish through the uprights. You also have the option to run the wires externally.*

**\*\*Applying a lubricant such as WD-40 on all of the sleeves can ease assembly. At times you may need to motivate the sleeve by using a rubber mallet. If this is need it is best to tab the component that has the sleeve, below the sleeve. This will allow the other part to slide on.**

**PROCEDURE:**

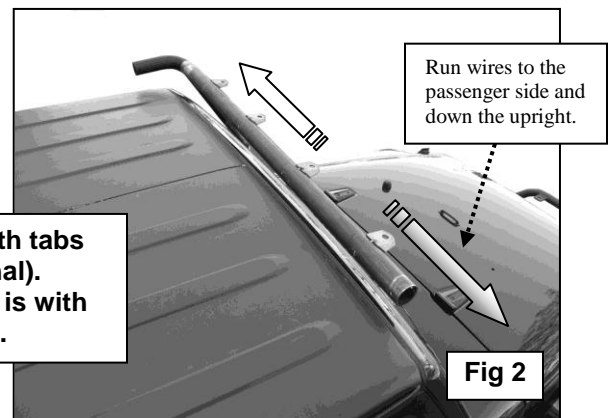
1. Peel, stick and trim the self sticking Foam Gaskets to the inside surface of the two mounting tabs on each support leg. Remove the driver side (4) factory outer windshield hinge bolts. Locate the driver side Front Leg and attach it to the windshield hinge using (4) 8-1.25mm x 35mm Hex Bolts, (4) 8mm Lock Washers and (4) 8mm x 25.5mm OD x 3mm Thick Flat Washers, **(Figure 1).**

Apply foam tape to the back of these mounting tabs to protect vehicle's finish.



2. Slide the front Cross/Light Bar into partially installed driver side Front Arm and secure it with the included (1) 8mm x 65mm Allen Bolt, (2) 8mm Flat Washers, and (1) 8mm Nylock Nut, **(Figure 2).**

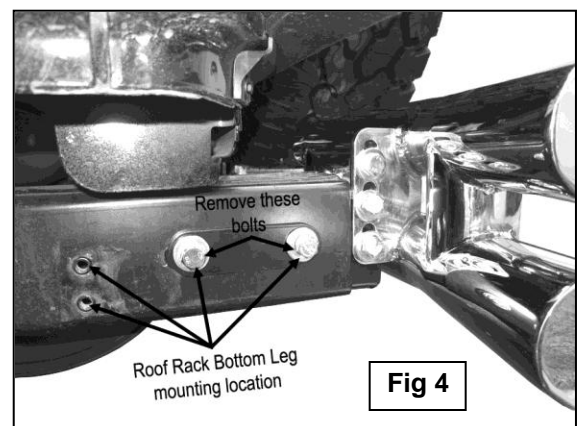
Cross Bar pictured with tabs facing forward (optional). Recommended install is with tabs facing to the rear.



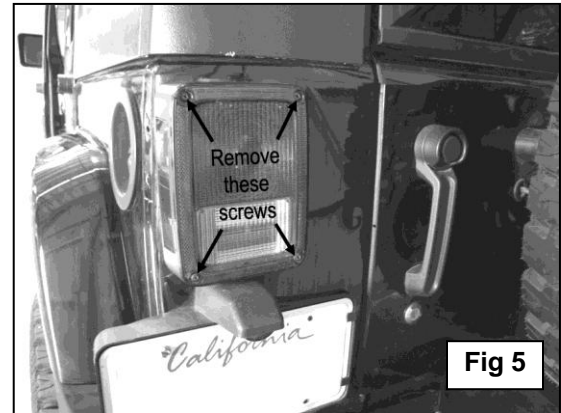
3. Remove the passenger side (4) factory outer windshield hinge bolts. Locate the passenger side Front Leg and apply the Foam Gasket as described in Step 1. Align the holes on the lower section of the Front Leg with holes on the windshield hinge and slide the tube into the Cross Bar. Secure the Front Leg to the vehicle using (4) 8-1.25mm x 35mm Hex Bolts, (4) 8mm Lock Washers and (4) 8mm x 25.5mm OD x 3mm Thick Flat Washers. Proceed to secure upper section of the Front Leg to Front Cross Bar using the included (1) 8mm x 65mm Allen Bolt, (2) 8mm Flat Washers, and (1) 8mm Nylock Nut, **(Figure 3).**



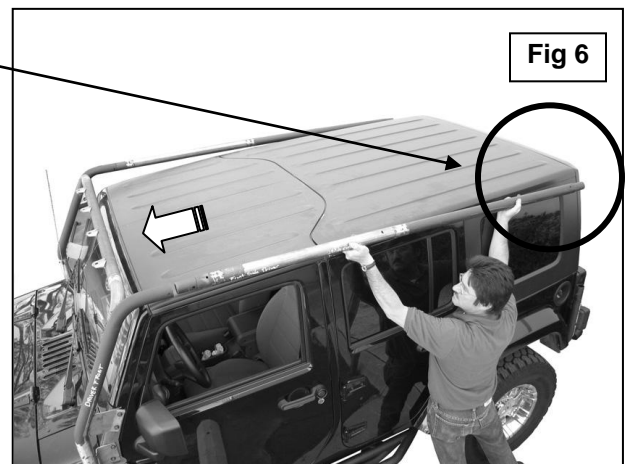
4. Rear bumper mount: Remove the two bolts holding the after market bumper-if equipped, **(Figure 4).**



5. **OPTIONAL:** If you decide to bolt the Roof Rack directly to the body of the vehicle, remove both taillights from vehicle at this time, **(Figure 5)**. **NOTE: Drilling required for "Bolt Direct to Body" Installation.**

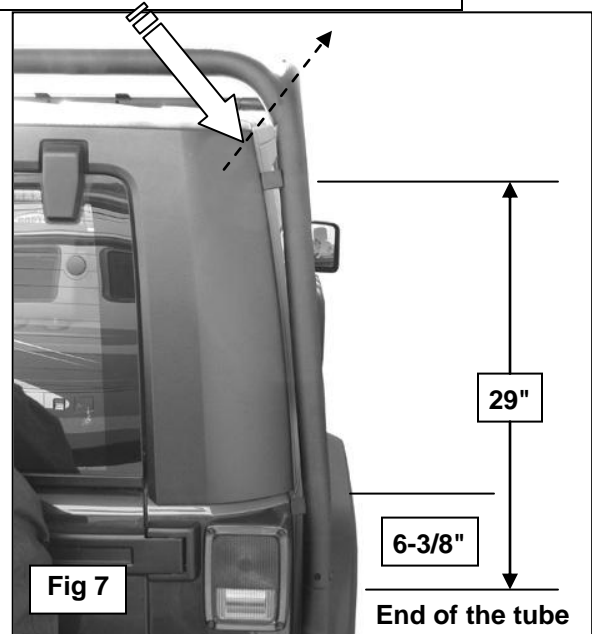


1. **NOTE:** Cover the end of the Side Rails facing the rear of the vehicle with masking tape to protect the finish of the vehicle in case it comes in contact with the vehicle. Slide the driver side sidetube into the front upright. To determine the driver side tube, measure from the shoulder (do not include the sleeve) up to the 1<sup>st</sup> hole 4.5", this is the rear of the tube; the 3 holes should be positioned up and away from the vehicle angled down towards the vehicle. Secure the Side Rails to the Front Legs using the included (1) 8mm x 65mm Allen Bolt, (2) 8mm Flat Washers, and (1) 8mm Nylock Nut, **(Figure 6)**.

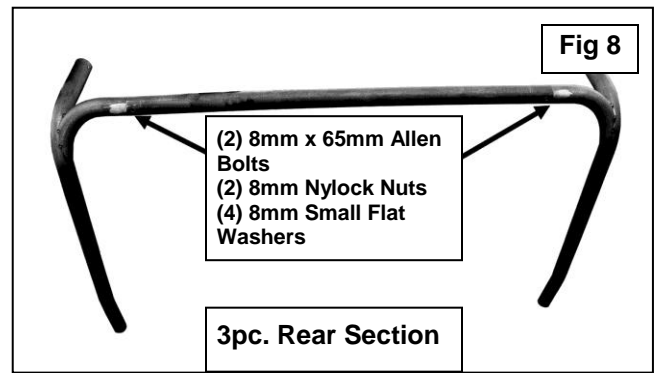


The angle of the mounting holes on the side tube for the cargo basket should be facing as arrow indicates. The 1<sup>st</sup> hole is 4.5" from the rear joint

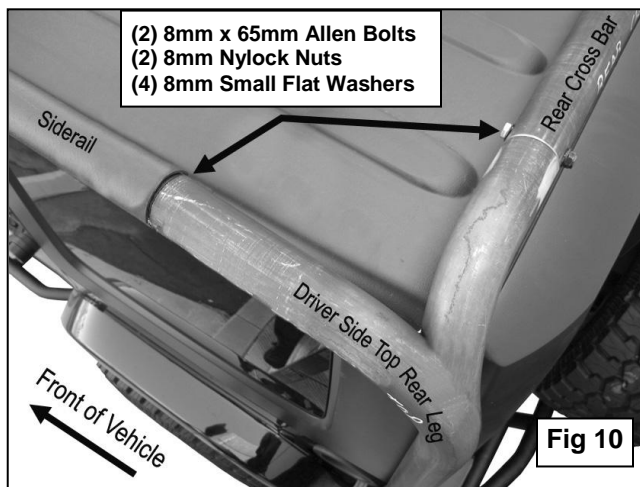
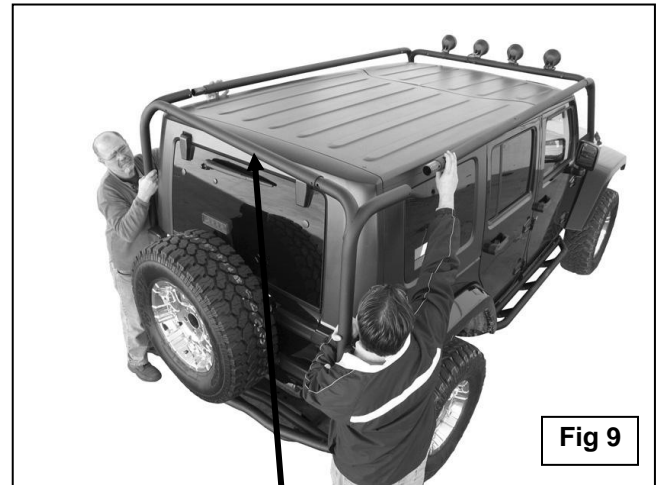
2. **Optional:** To better support the Roof Rack when loaded, (2) Rubber Bumpers are included in the installation kit. The Rubber Bumpers can be installed at a point 29" up from the end of the Rear Leg for vehicles with hard tops or at 6-3/8" for vehicles with soft tops, **(Figure 7)**. Once the location is determined, select the side of the tube facing the vehicle and mark the location. On a stable work area, lay the tube with the surface to be drilled facing up. Drill an 1/8" hole into the tube. Drill only through the side requiring the Rubber Bumper. Do not drill through both sides of the tube. Secure the Rubber Bumper to the Rear Leg with (1) #5 x 30mm Screw and (1) 5mm Flat Washer. Snug but do not over tighten or the Rubber Bumper will be deformed. (This is optional)



- On a clean, stable work area, assemble the rear section of the Roof Rack by attaching both Upper Rear Legs to the Rear Cross Bar. Secure this assembly by using the included (2) 8mm x 65mm Allen Bolts, (2) 8mm Nylock Nuts, and (4) 8mm Thin Flat Washers, **(Figure 8)**. Do not tighten hardware at this time. (The light tabs can face inboard our outboard, pre-wire the light bar and passenger side upright before assembly)

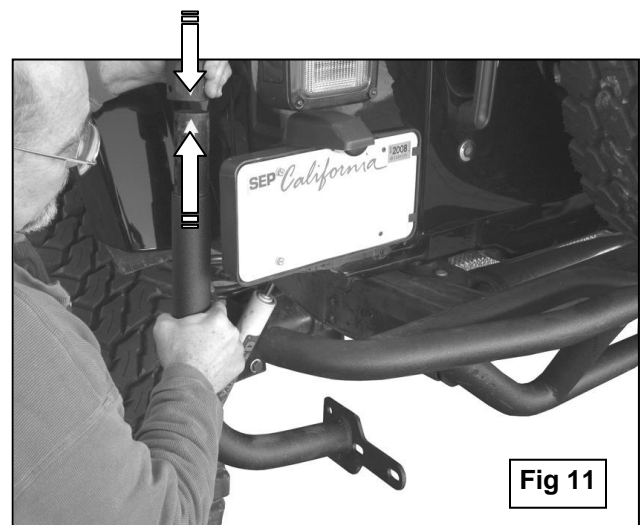


- With assistance, attach the assembled rear top section of the Roof Rack to the already inserted Side Rails. NOTE: Be careful not to damage the vehicle when attaching the top section. Use the included (2) 8mm x 65mm Allen Bolts, (2) 8mm Nylock Nuts and (4) 8mm Thin Flat Washers to attach the Rear Top Legs to the Side Rails, **(Figure 9 & 10)**.

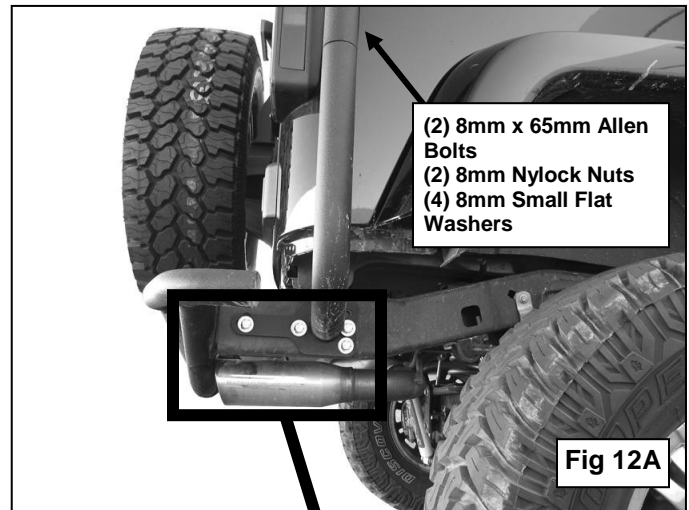


**IMPORTANT! Do not lay Roof Rack on your vehicle to attach the Rear Bottom Legs at any time. Damage to the vehicle may occur.**

- For "**Bolt Direct to Body**" installation, proceed to Step 18.
- With assistance, hold the rear section of the Roof Rack up and attach the Rear Bottom Leg section to the Rear Top Leg section using the included (2) 8mm x 65mm Allen Bolts, (2) 8mm Nylock Nuts, and (4) 8mm Thin Flat Washers, **(Figure 11)**. **IMPORTANT!** Do not lay Roof Rack on your vehicle to attach the Rear Bottom Legs at any time. Damage to the vehicle may occur.

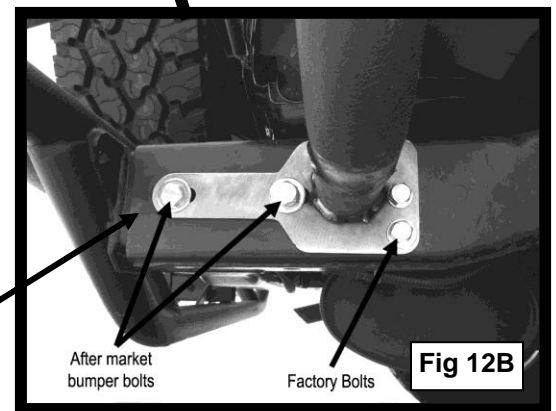
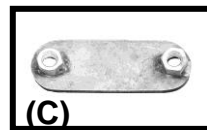


7. Position the passenger Rear Bottom Leg up to the frame and align the holes in the Bracket with holes in the frame for the bumper. Secure the rear holes in the Mounting Bracket to the bumper using the same bolts that came with your aftermarket bumper. Attach the front of the Bracket to the frame using the factory bolts or the included hardware, **(Figure 12A & 11B)**. Repeat this step for the driver side installation.



**Note:** Installation shown with aftermarket bumper. Use the included Double Nut Plate **(N)** inside the rectangular frame tube as required for installation on vehicles without rear bumper or aftermarket bumpers that are not threaded for mounting bolts. Also use the following hardware included with this kit as needed:

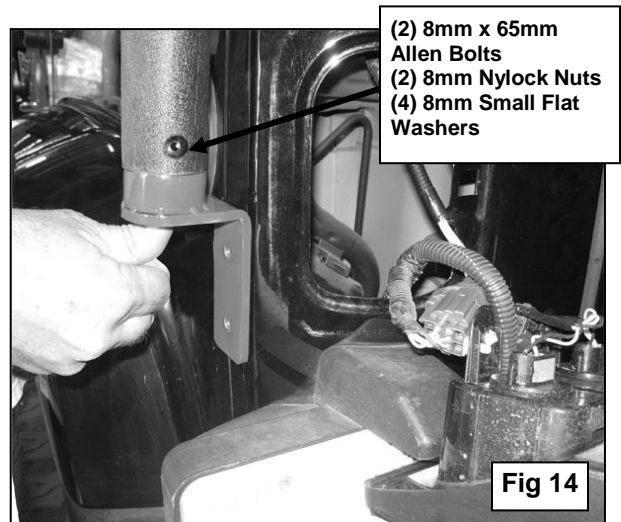
- (4) 12-1.75mm x 35mm Hex Bolts
- (4) 12mm Lock Washers
- (4) 12mm x 29mm OD x 3mm Flat Washers



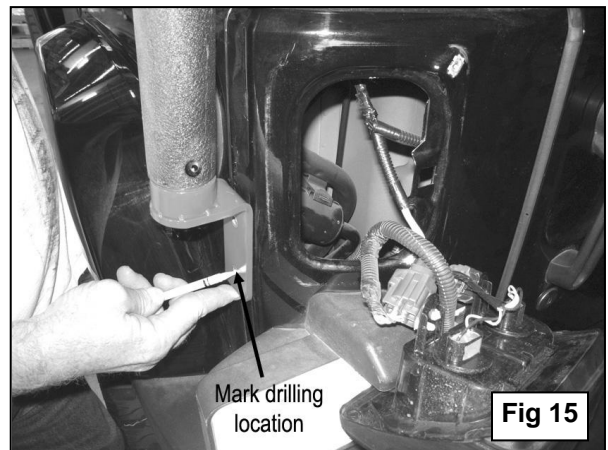
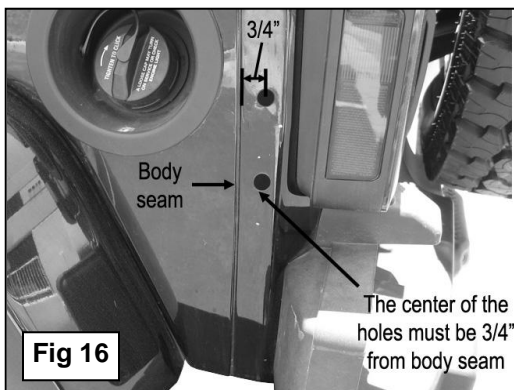
8. **NOTE:** The Body Armor 4x4 cargo basket (PN 5124) does not require cross bars as the unique mounting system and basket mount directly to the side tubes. Please refer to the cargo basket installation instructions. Body Armor 4x4 does also offer crossbars if you want to utilize other aftermarket cargo accessories such as bike racks.
9. Align Roof Rack properly then tighten all hardware.
10. Do periodic inspections to the installation to make sure all hardware is secure and tight.
11. Protect the finish of the roof rack by keeping it clean. The textured finish can be cleaned with WD-40 or similar products, or you can use a quality instant detailing product. Do not use any type of polish or wax that contains abrasives as they that could damage the finish. Rust may leach out from the joints especially in high salt or high moisture regions. If this occurs use WD-40 or similar lubricant to clean the finish. This condition is not considered to be a defect.

## OPTIONAL "BOLT DIRECT TO BODY" INSTALLATION INSTRUCTIONS

12. With assistance, hold the rear section of the Roof Rack up and attach the Short Bottom Bracket to the Rear Top Leg Section using the included (2) 8mm x 65mm Allen Bolts, (2) 8mm Nylock Nuts and (4) 8mm Thin Flat Washers, **(Figure 14)**. **IMPORTANT!** Do not lay Roof Rack on your vehicle to attach the Rear Bottom Legs at any time. Damage to the vehicle may occur.

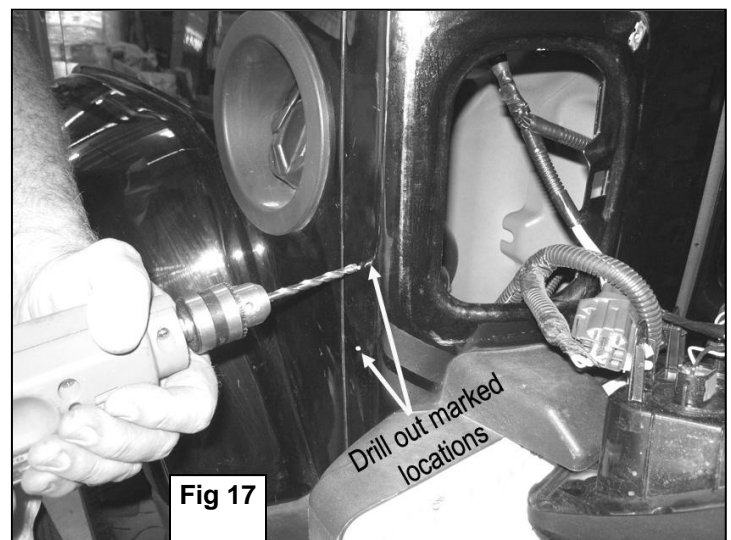


13. Align the Side Rails parallel with the roof of the vehicle, and then use the holes in the Short Bottom Bracket as a template to mark the drilling location on the vehicle, **(Figure 15)**. **NOTE:** Center of the holes must be  $3/4$ " from body seam **(Figure 16)**.



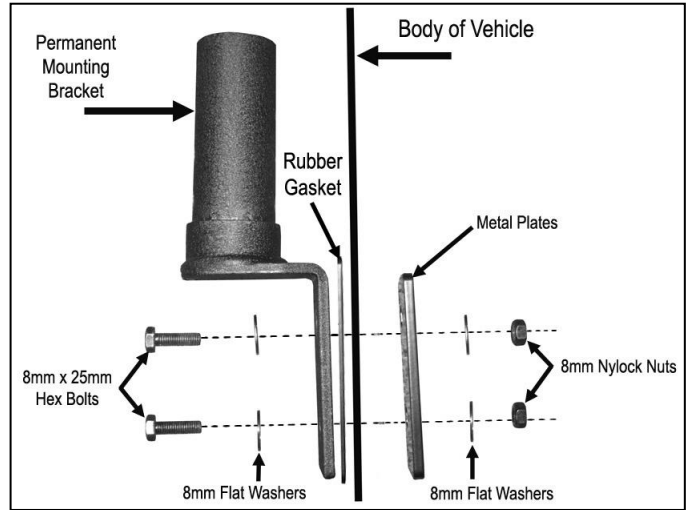
14. Once you have marked the drill locations on both sides of the vehicle, remove the rear assembly of the Roof Rack and set it aside **NOTE:** Do not remove the Short Bottom Brackets from the Rear Legs.

15. Use a  $7/16$ " drill bit to drill out the (4) marked locations, **(Figure 17)**. **IMPORTANT:** Any cutting or drilling tool may break or shatter. Government regulations require safety glasses & equipment at all times when cutting or drilling.



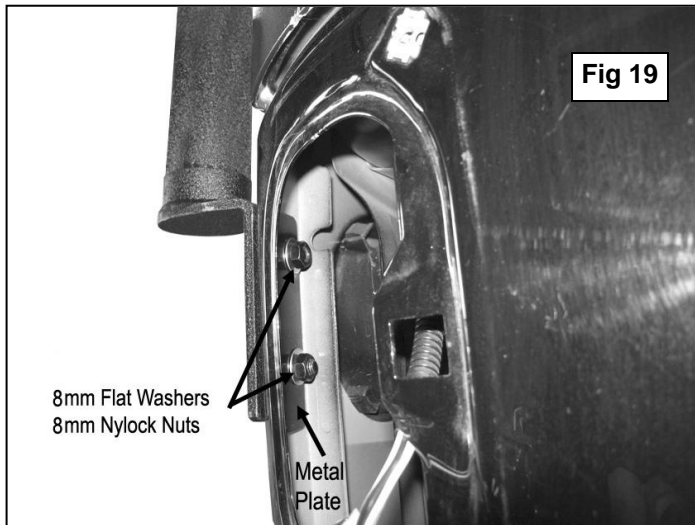
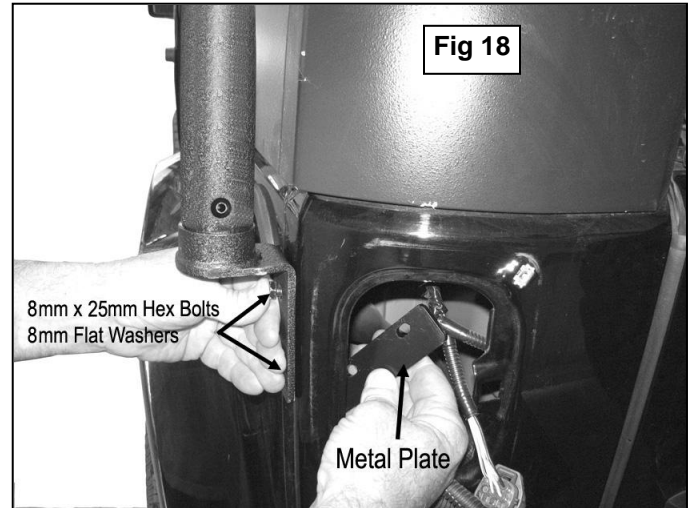
16. Re-install the rear assembly of the Roof Rack to the Side Rails.

17. Starting on the driver side, with assistance, place rubber gaskets between the body and the Short Bottom Brackets, then align holes in the Drilling Bracket to previously drilled holes .



18. Insert (2) 8mm x 25mm Hex Head Bolts with (2) 8mm Thin Flat Washers through the Short Bottom Brackets and body. Through the taillight cavity, position the 2-hole Metal Plates over the already inserted 8mm Hex Bolts, (Figure 18).

19. Secure the Metal Plates using the included (2) 8mm Thin Flat Washers and (2) 8mm Nylock Nuts, (Figure 19).



20. Repeat Steps 23-25 for the passenger side installation.

21. Go to steps 13-14 to attach the Basket Holder Cross Rails.

22. Align Roof Rack properly and tighten all hardware.

23. **IMPORTANT:** Do periodic inspections to the installation to make sure all hardware is secure and tight.

**To protect your investment**, wax this product after installing. Regular waxing is recommended to add a protective layer over the finish.