



WINDSHIELD RETAINER KIT

Installation Instructions

PART NUMBER: 51209

**CJ5, CJ7, 1986-1995 Wrangler,
Toyota FJ40 Landcruiser 1964-1984**

DO NOT INSTALL THIS PRODUCT ON ANY VEHICLE OTHER THAN THOSE LISTED ABOVE.

This product is only designed for the vehicles listed above. Failure to install this product on the proper vehicle could cause injury to the vehicle occupants and damage to the product.

Note: Please read this manual thoroughly before beginning the installation. After completing installation, keep this manual for future reference.

Tools You Will Need

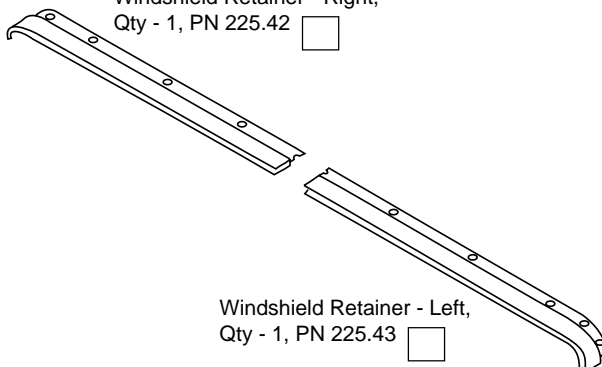
- A pencil
- A Phillips head screwdriver
- A hammer
- A center punch
- A 1/8" drill bit and a power drill
- Safety Glasses

CAUTION: A loose windshield retainer may allow the top to disengage from the windshield, causing damage to the top and possible injury to the occupants of the vehicle. Make certain that the windshield retainer is securely fastened to the windshield at the time of first installation. Check the tightness of the mounting screws every three months. (Do not over-tighten.) Safety Glasses should be worn at all times while installing this product.

Parts List and Hardware Identification

Check off each item

Windshield Retainer - Right,
Qty - 1, PN 225.42



Windshield Retainer - Left,
Qty - 1, PN 225.43



#8 x 1/2" Pan Head
Washer Screw - Black,
Qty - 13, PN 200.48

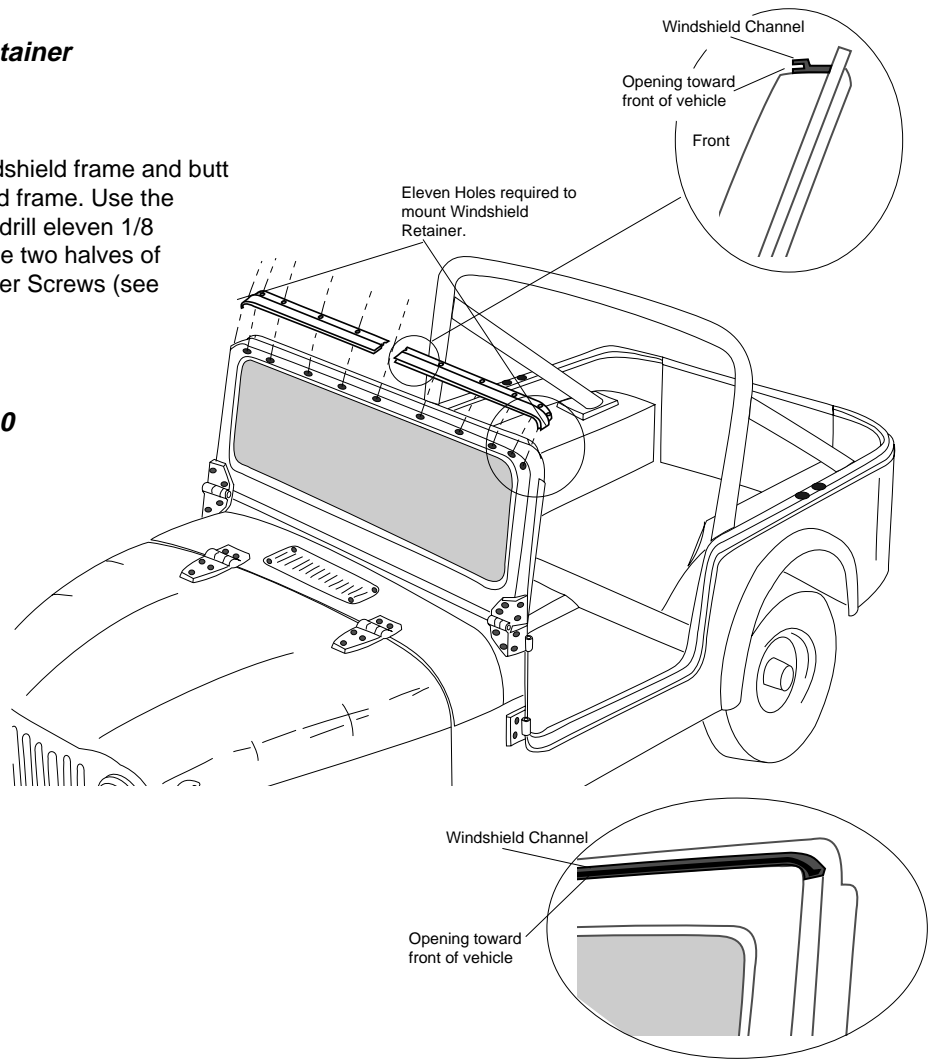
Because of Generic Packaging, extra parts may be included.

Windshield Retainer

Step One

Center the Windshield Retainers on top of the windshield frame and butt the retainers up against the top lip of the windshield frame. Use the retainers as a template to mark, center punch and drill eleven 1/8 inch holes (Note: drill one 1/8 inch hole between the two halves of the retainer.) Use eleven #8 x 1/2 Pan Head Washer Screws (see Figure 1).

Figure 10



LIMITED WARRANTY

Bestop, Inc. warrants this product to be free from defects in material, for the terms specified below, provided there has been normal use and proper maintenance. This warranty applies to the original purchaser only. All remedies under this warranty are limited to the repair or replacement of any item or items found by the factory to be defective within the time period specified.

If you have a warranty claim, first you must call the factory at the number below for instructions. You must retain proof of purchase and submit a copy with any items returned for warranty work. Upon completion of warranty work, if any, Bestop will return the repaired or replaced item or items to you freight prepaid. Damage to our products caused by accidents, fire, vandalism, negligence, misuse, Acts of God, or by defective parts not manufactured by us, is not covered under this warranty.

THE TERMS OF BESTOP'S WARRANTY ARE AS FOLLOWS: ALL "SOFT GOODS" MANUFACTURED BY BESTOP, INC. (USING PRIMARILY VINYL, PLASTIC, AND/OR FOAM): 90 DAYS FROM DATE OF PURCHASE.

ANY IMPLIED WARRANTIES OF MERCHANTABILITY AND/OR FITNESS FOR A PARTICULAR PURPOSE CREATED HEREBY ARE LIMITED IN DURATION TO THE SAME DURATION AS THE EXPRESS WRITTEN WARRANTY. OUR COMPANY SHALL NOT BE LIABLE FOR ANY INCIDENTAL OR CONSEQUENTIAL DAMAGE, INCLUDING, WITHOUT LIMITATION, DAMAGES RESULTING FROM THE USE OF THE PRODUCT ON REPAINTED SURFACES (NON-FACTORY ORIGINAL PAINT) AND FADING AND PAINT COLORATION DIFFERENCES RESULTING FROM THE PRODUCT'S SHIELDING PORTIONS OF SURFACES FROM EXPOSURE TO THE SUN AND ELEMENTS WHILE OTHER ADJACENT SURFACES REMAIN COMPLETELY EXPOSED.

Some states do not allow limitations on how long an implied warranty lasts, or the exclusion or limitation of incidental or consequential damages, so the above limitations or exclusions may not apply to you.

This warranty gives you specific legal rights, and you may also have other rights which vary from state to state.

For further information or request for warranty work, please call:

Bestop Inc.
Consumer Response
(303) 465 - 1755