



# SBC WATER PUMP RISER

## INSTALLATION INSTRUCTIONS

1. REMOVE O.E.M. ENGINE FAN, FAN PULLEY, AND BELTS. (RETAIN)
2. REMOVE WATER PUMP. **NOTE: REPLACEMENT OF GASKETS REQUIRED.**
3. INSTALL WATER PUMP RISER ON ENGINE BLOCK USING (4) 3/8-16 X 2 1/4 BOLTS W/ FLAT WASHERS AND GASKETS. **SEE FIGURE 1.**
4. INSTALL NEW 6 CYL. WATER PUMP W/GASKET(INCLUDED W/PUMP) TO WATER PUMP RISER USING (2) 5/16-18 X 1 BOLTS W/LOCK WASHER ON THE DRIVER SIDE AND (2) 5/16- 18 X 1 1/2 BOLTS W/LOCK WASHER ON THE PASSENGER SIDE.
5. ATTACH THE COMPRESSOR MOUNTING BRACKETS TO WATER PUMP RISER LOOSELY, TO ENSURE EASY INSTALLATION OF COMPRESSOR, USING (3) 3/8-16 X 4 BOLTS W/ FLAT WASHERS AND 3/8 LOCKNUT.
6. INSTALL COMPRESSOR TO MOUNTING BRACKETS USING (4) 3/8-16 X 1 1/2 BOLTS W/ FLAT WASHERS AND 3/8 LOCKNUT. **SEE FIGURES 1 & 2.**
7. ATTACH ALTERNATOR BRACKET TO THE WATER PUMP RISER LOOSELY, TO ENSURE EASY INSTALLATION OF ALTERNATOR, USING (1) 3/8-16 X 1 BOLT W/FLAT WASHER.
8. INSTALL THE ALTERNATOR TO THE WATER PUMP RISER BY SETTING IT IN BETWEEN THE MOUNTING EARS USING (1) 3/8-16 X 3 BOLT W/FLAT WASHER. **NOTE: OVERTIGHTENING OF THIS BOLT MAY CAUSE DAMAGE TO THE WATER PUMP HOUSING. USE A SPACER OR SHIMS(not included) IF A GAP IS PRESENT BETWEEN THE MOUNTING EARS AND YOUR ALTERNATOR.**
9. ATTACH THE ALTERNATOR BRACKET TO THE ALTERNATOR USING THE OEM HARDWARE.
10. RE-INSTALL ENGINE FAN PULLEY AND FAN.
11. INSTALL BELTS AS SHOWN IN **FIGURE 1**. ADJUST TO PROPER TENSION AND TIGHTEN ALL BOLTS.  
 A/C BELT - 1/2 X 57 1/2  
 ALTERNATOR BELT - 1/2 X 54 1/2

### PASSENGER SIDE

(3) 3/8-16 X 4 BOLTS  
W/FLAT WASHER  
W/3/8 LOCKNUT

WATER PUMP BOLTS  
(2) 5/16-18 X 1 1/2 BOLT  
W/LOCK WASHER

(4) 3/8-16 X 1 1/2  
BOLT

(4) 3/8 FLAT WASHER  
W/LOCKNUT  
W/GASKET

(1) 3/8-16 X 1 BOLT  
W/FLAT WASHER

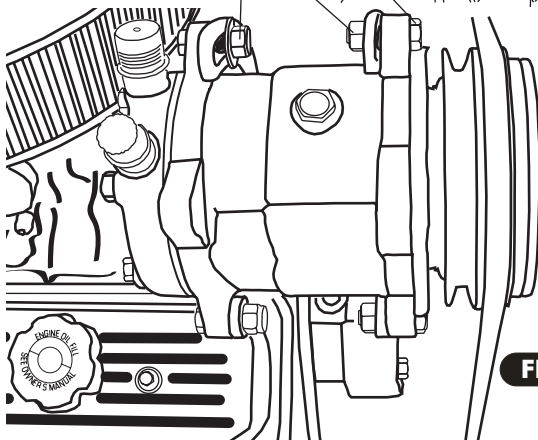
### DRIVER SIDE

(1) 3/8-16 X 3 BOLT  
W/FLAT WASHER

WATER PUMP BOLTS  
(2) 5/16-18 X 1 BOLT  
W/LOCK WASHER

(4) 3/8-16 X 2 1/4  
BOLTS W/FLAT WASHER  
W/GASKET

**FIGURE 1**



**FIGURE 2**

**NOTE:**  
 LOWER PULLEY - 7 1/4 DIAMETER DOUBLE V  
 CHEVY PART#3850838  
 PUMP PULLEY - 6 1/4 DIAMETER DOUBLE V  
 CHEVY PART#3995642  
 CAST IRON WATER OUTLET (EVERCO #W-2493)  
 ALUMINUM WATER OUTLET PONTIAC #477202  
 ON EARLY CARS LIKE '32 FORD USE GATES HOSE #20225



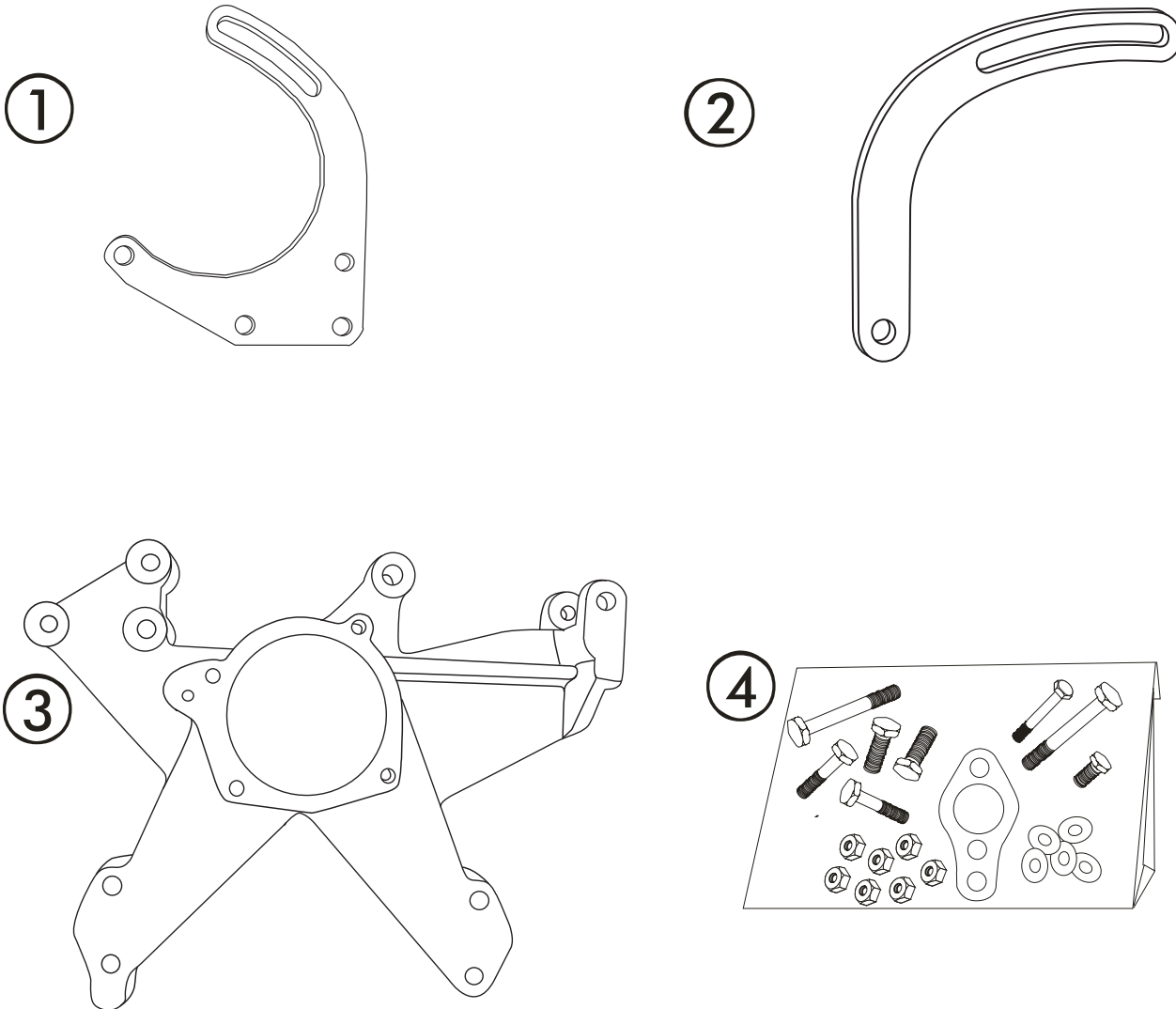
# SBC WATER PUMP RISER

## WATER PUMP RISER

**BRACKET KIT**  
19212-VCB

No.	QTY.	PART No.	DESCRIPTION
1.	2	146065	COMP. MOUNTING BRKT.
2.	1	146064	ALT. MOUNTING BRKT.
3.	1	722000	SBC WATER PUMP RISER CASTING
4.	1	191007	HARDWARE KIT

**\*\* BEFORE BEGINNING INSTALLATION OPEN ALL PACKAGES AND CHECK CONTENTS OF SHIPMENT. PLEASE REPORT ANY SHORTAGES DIRECTLY TO VINTAGE AIR WITHIN 15 DAYS. AFTER 15 DAYS, VINTAGE AIR WILL NOT BE RESPONSIBLE FOR MISSING OR DAMAGED ITEMS.**



**NOTE: IMAGES MAY NOT DEPICT ACTUAL PARTS AND QUANTITIES. REFER TO PACKING LIST FOR ACTUAL PARTS AND QUANTITIES.**