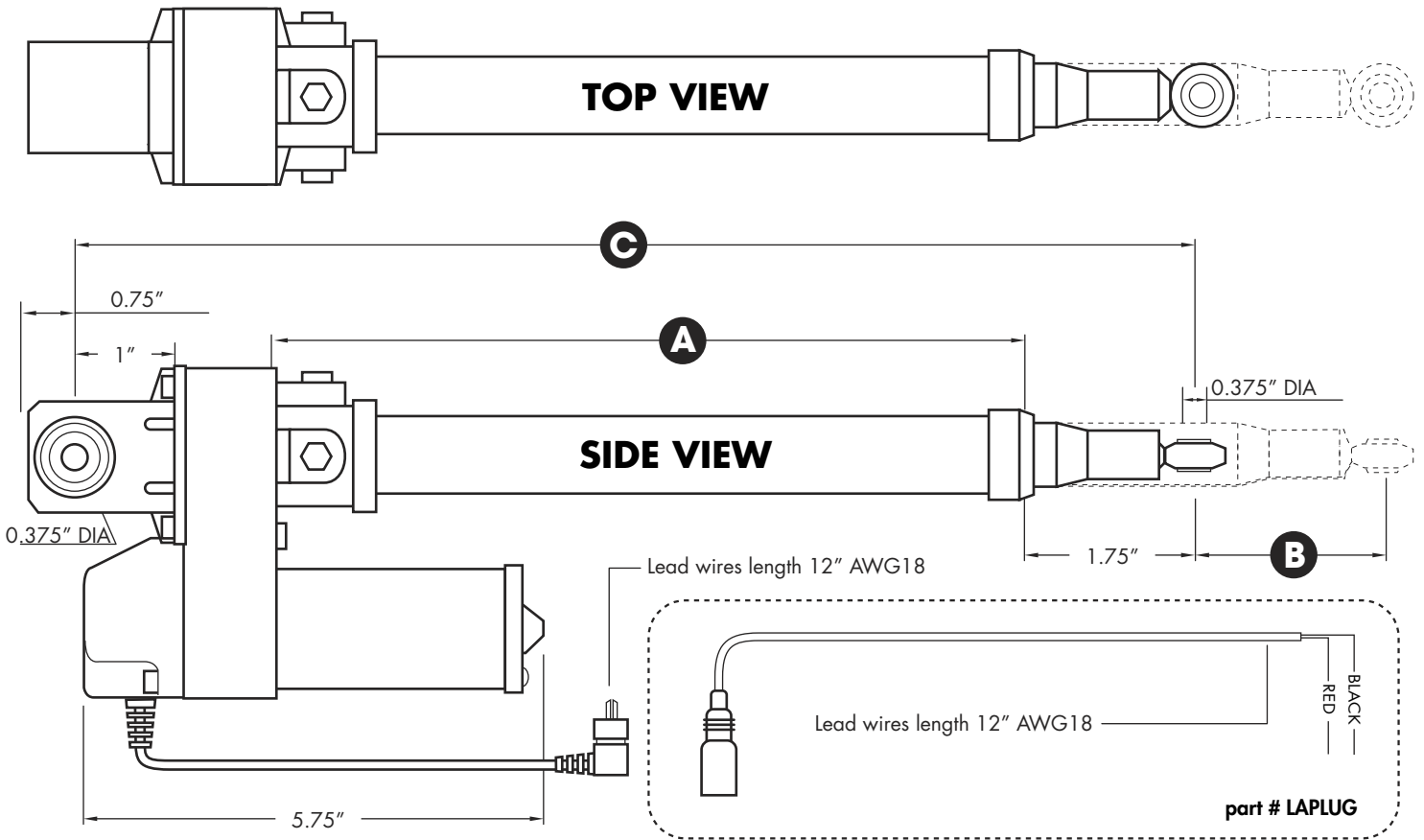


SPECIFICATIONS SHEET LINEAR ACTUATORS



Part#: LAD2, LAD4, LAD6, LAD8, LAD10 & LAD12.



OPTIONAL EQUIPMENT AVAILABLE:
 An optional Motor Control Unit is available for all models of linear actuators. Please contact your sales rep at 1.800.873.4038 for details or visit our web site. www.autoloc.com

SOLD SEPARATELY
 A Linear Actuator Plug (part # LAPLUG) is sold separately to ensure easy installation. Please contact your sales rep at 1.800.873.4038 for details or visit our web site www.autoloc.com.

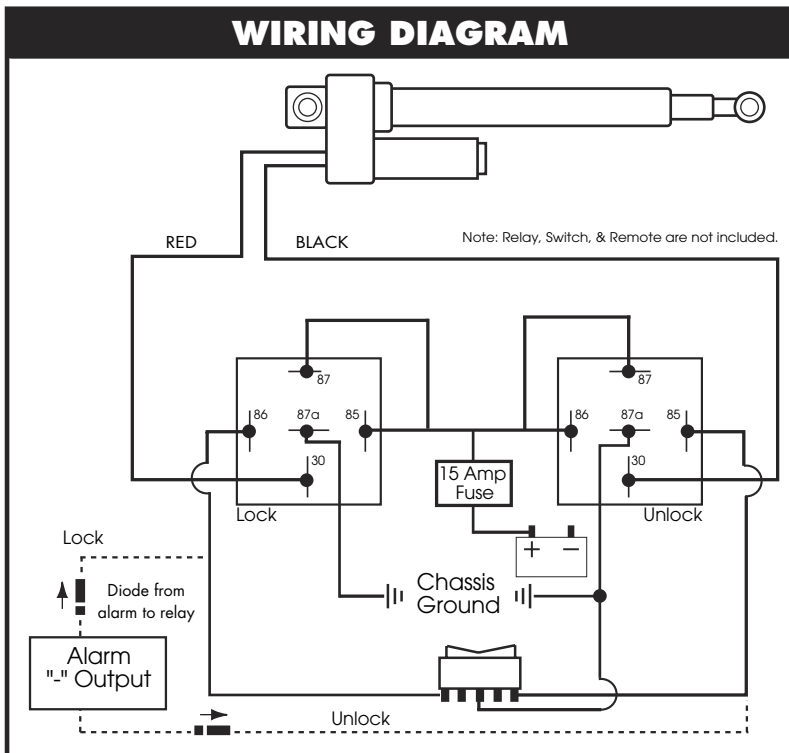
Power Rating DC12V 4.5A • Force 225lb Max. • Stroke 150mm • Speed 9mm/sec Max. • Duty Cycle 20% Max. • Motor Type 3423

MODEL	LAD2	LAD4	LAD6	LAD8	LAD10	LAD12	LAD24
A	5.75"	9.25"	9.5"	11.5"	13.5"	15.5"	N/A
STROKE B	2"	4"	6"	8"	10"	12"	N/A
TOTAL LENGTH (RETRACTED) C	9.875"	11.75"	13.75"	15.75"	17.75"	19.75"	N/A

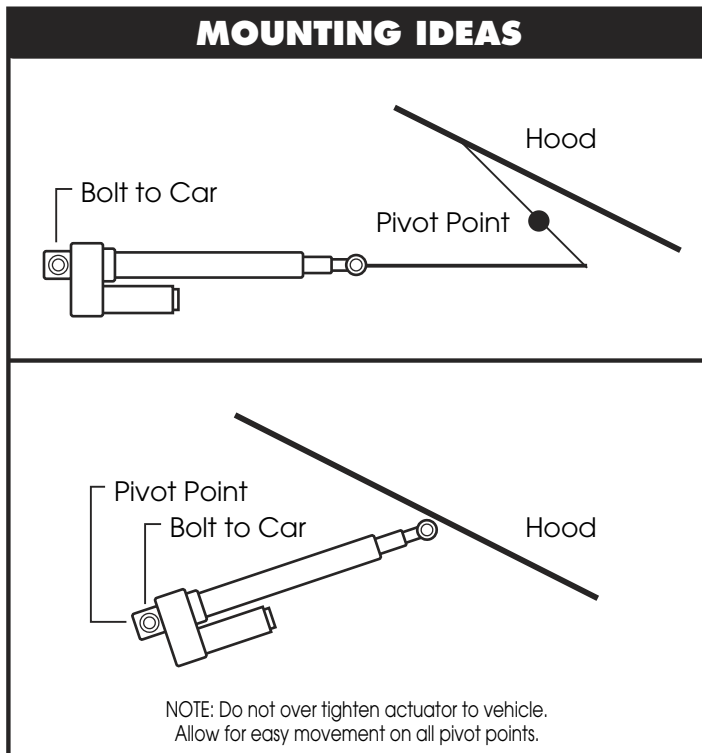
SPECIFICATIONS SHEET LINEAR ACTUATORS



WIRING DIAGRAM

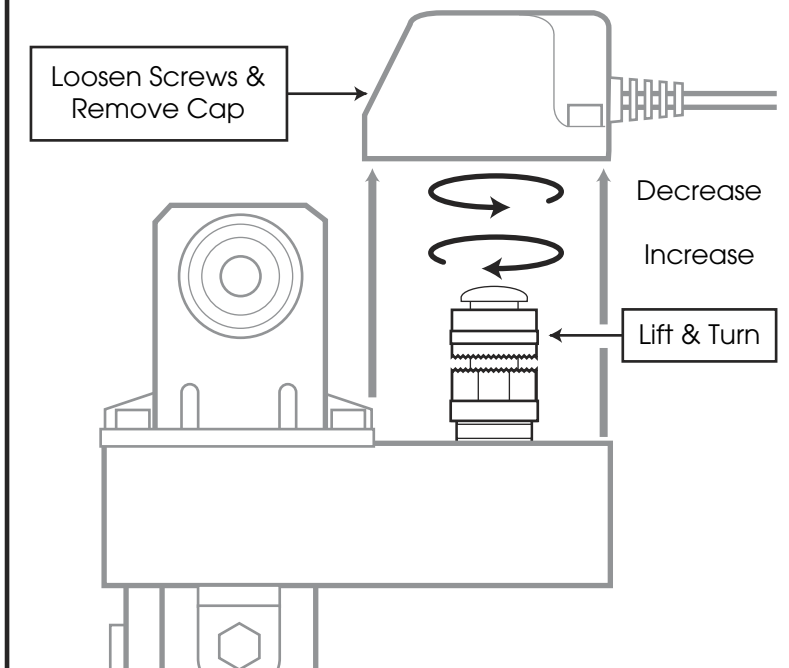


MOUNTING IDEAS



ADJUSTING STROKE

The stroke on the LAD Series Linear Actuators can be adjusted by removing the cover and turning the adjustment knob. Each tooth is equal to an increase/decrease of .25" in the rod's stroke.



OPTIONAL ACCESSORIES

Linear Actuator Bracket



MOUNT UP! AutoLoc's Linear Actuator Mounting Bracket is a must for mounting actuators to hoods, trunks or any moving parts. Ideal for flat or angled surfaces. Works with all AutoLoc Linear Actuators.

PART # LAMB