



## Installation Instructions Z-Gate Universal Shifter

Fits: GM, Ford, Lincoln and Chrysler Transmissions  
See Application Guide for Specific Applications

**Part #80681**

Rev 1/14/2020

**WORK SAFELY!** For maximum safety, perform this installation on a clean, level surface and with the engine turned off. Place blocks or wedges in front of and behind both rear wheels to prevent movement in either direction.

**CAUTION:** To avoid any possibility of bodily injury or damage to vehicle, do not attempt installation until you are confident that the vehicle is safely secured and will not move.

The B&M Z-Gate shifter can be used in vehicles equipped with most popular three speed automatic transmissions. Your shifter comes equipped with a neutral safety switch, transmission brackets and levers and a five foot shift cable. Optional shifter cables in 3 ft. (80831), 4 ft. (80832), 8 ft. (80834), 10 ft. (80835) and 12 ft. (80836) are also available.

To use the B&M Z-Gate shifter with the Ford AOD transmission you will need our optional accessory kit #40496. See the list on page 9.

The mechanical components of this shifter are precision made and assembled at our factory. Any modification or disassembly of these parts can cause the shifter to malfunction and will void the warranty. You should disassemble only those items outlined in the instructions.

**IMPORTANT:** If your vehicle is equipped with a locking steering column. Securing the column lock lever in the engine compartment in the full up position will allow the steering wheel to be locked and unlocked and the ignition key to be removed.

**WARNING:** This allows the steering wheel to be locked WHENEVER the ignition key is turned to the "lock" position WHILE THE VEHICLE IS MOVING, OR AT ANY OTHER TIME. Securing the steering column lock lever in any other position will both PREVENT the steering wheel from locking and the removal of the ignition key.

### INSTALLATION

1. Remove the stock shift linkage;

**Column Shifters:** Remove all rods, levers or cables from the column and the transmission. Place the column shift lever in the Park position. Remove the pin holding the shift lever in the column and remove the lever assembly. If your vehicle is equipped with a locking steering column, secure the column lock lever in the full up position.

**WARNING:** This allows the steering wheel to be locked and ignition key removed WHENEVER the ignition key is turned to the "lock" position WHILE THE VEHICLE IS MOVING, OR AT ANY OTHER TIME.

**Console Shifters:** Remove the shifter mechanism from the console. Disconnect the rod or cable from the transmission. Remove the cable bracket if equipped. If there is a cable or linkage from the console shifter or the transmission to the steering column lock, it must be blocked in the Park position as described above.

**NOTE:** Shifter installation may require console modification or complete console removal depending on the space available in your vehicle.

2. Pull the carpet away from the floorboard where the shifter is to be mounted. If the vehicle has a bench type seat, move the seat to the full forward position. Place the shifter on the floor with the stick shifted to the rearmost position. Locate the shifter for ease and convenience of operation. (The rear mounting hole of the mechanism must be at least 1¾" from the front of the seat when the seat is in the full forward position). Make sure the knob clears the dash with the shifter in the Park position. Mark the position of four mounting holes on the floor.

3. Drill the four 9/32" mounting holes where marked. Temporarily mount the shifter in place using the washers as required to get it level. Mark the location for the shifter cable hole, 3" ahead of the front shifter mounting hole. Drill or cut a 1½" diameter cable hole in the floorboard.

**NOTE:** Some floorboards are extremely thin and will not adequately support the shifter mechanism when bolted to the floor. For those vehicles we recommend that you fabricate a stiffener plate for additional strength.

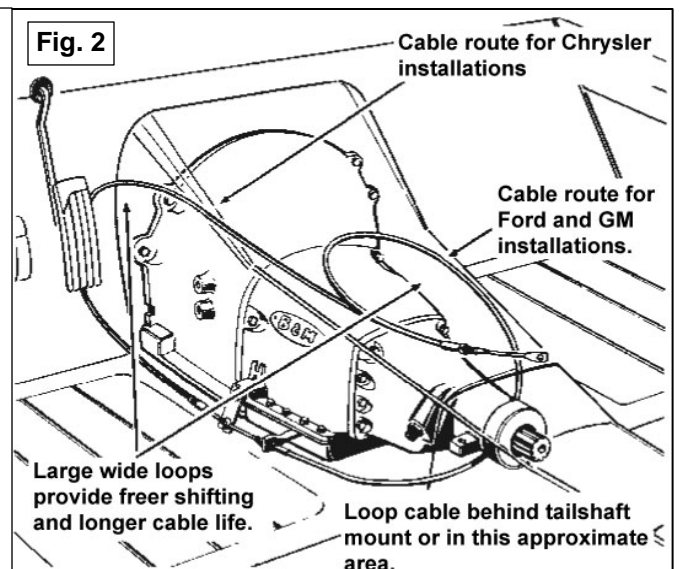
4. Install (but do not secure) the carpet back to its original position. Cut holes in the carpet for the mounting holes and a 1½" slit for the cable. **DO NOT** use a drill bit to make holes in the carpet.

5. (This step is omitted on 1969 and later Chrysler vehicles.) Assemble the neutral safety switch and the backup light switch to the shifter using two #4-40 screws, nuts and lock washers, as shown in Fig. 1 on the last page. The backup light switch is on the other side of the backing plate and is not seen in the illustration.

**CAUTION:** Overtightening the switch attachment screws will crack the switch housings. Adjust the switches so that the neutral safety switch (the lower switch) operates in Neutral and Park only and so that the backup light switch (the upper switch) operates in Reverse only by loosening the screws and sliding the switch as required. Then retighten the screws.

6. Install the cable on the shifter as shown in Fig. 1. The cable attachment tab should be bolted to the outside surface of the shifter base using a 1/4" x 1/2" hex bolt, lock washer and nut. Install the e-clip to secure the cable to the cable pin.

7. Install the shifter mechanism into the vehicle. Slide the shifter cable through the carpet and the hole in the floor. Bolt the shifter down using four 1/4" hex bolts and nuts. If required use 1/4" washers as shims between the shifter mechanism and the floor to level the shifter. **ROUTE THE CABLE AS SHOWN IN FIG. 2, AVOID SHARP BENDS WHICH WILL KINK AND DAMAGE THE CABLE.** Use cable clamps or tie wraps to secure the cable housing to chassis to avoid contact with hot engine or exhaust system. For General Motors vehicles go to Step 8, for Ford vehicles go to Step 13, for Chrysler vehicles go to Step 19.

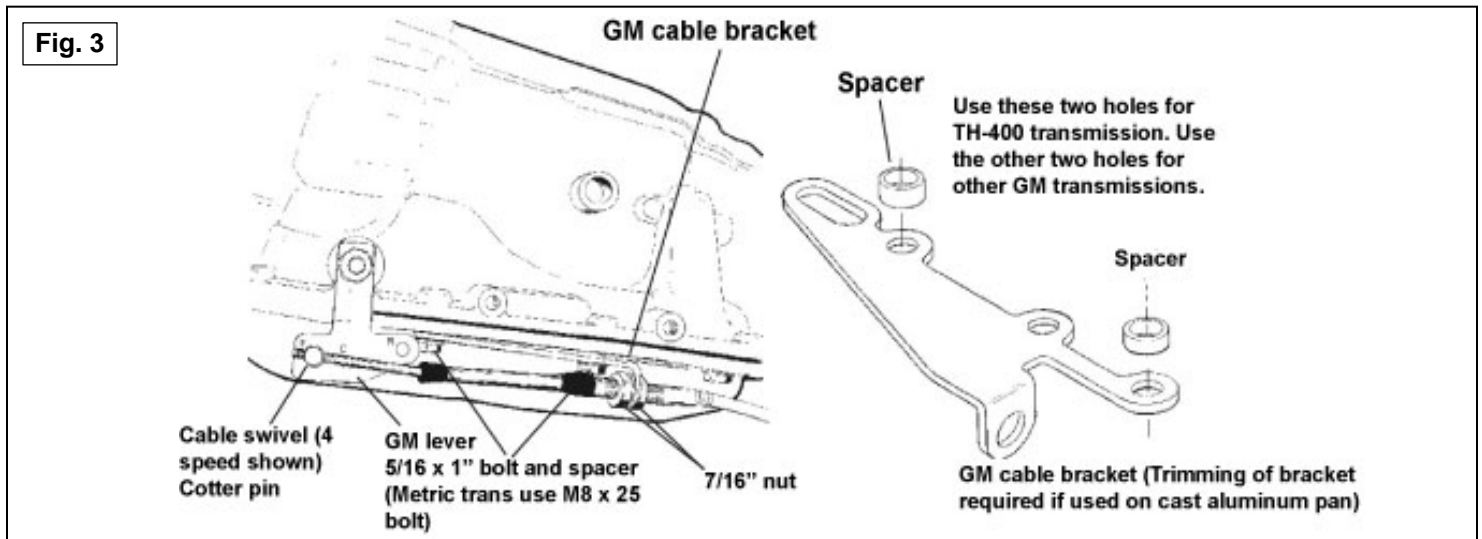


## GENERAL MOTORS

8. If you have not already done so, remove the stock selector lever nut and the selector lever. Discard the stock lever and the stock shifter linkage. Install the B&M selector lever in position using the stock selector lever nut (See Fig. 3). Torque the nut to 23 lb-ft. The lever should move smoothly from front to rear with a positive click in each gear position.

9. Remove the two transmission oil pan bolts from the middle of the left side of the oil pan. Install the cable bracket in position (See Fig. 3). The bracket must be installed with two spacers between the pan and the bracket. (If your transmission is equipped with a cast aluminum oil pan, these spacers should be omitted, however the cable bracket may have to be modified). Install the two supplied 5/16"-18 x 1" bolts and tighten to 12-13 lb-ft. Do not overtighten as this can damage the pan gasket.

10. Remove the two rubber boots, one large nut, and a large lockwasher from the threaded end of the shifter cable. Route the shifter cable according to Fig. 3. Avoid kinks and sharp bends and route the cable away from hot engine or exhaust parts. Slide the end of the cable into the cable bracket. Install the large nut and the lockwasher loosely over the end of the cable. Position the cable so the threaded portion of the cable housing is centered in the cable bracket. Install the two rubber boots onto the end of the cable.



11. Move the transmission selector lever by hand to full rear position (Low). Operate the shifter lever to the Low gear position (ratcheted all the way back). Adjust the large nuts on the cable so that the swivel will slide into the center hole on the selector lever. Tighten the large nuts completely. Be sure that the swivel will slide freely in and out of the hole in the selector lever.

**Note: The shifter will not operate correctly unless the center hole in the shift lever is used.**

Leave the swivel out of the hole and move the selector lever to Park, all the way forward. Also move the shifter to the Park position (all the way forward). Reinsert the swivel into the center hole in the selector lever. Check to see that the swivel will slide freely in and out of the center hole in the selector lever in this position. If it does not slip in freely, adjust the swivel slightly until it will slip into the hole in the lever.

Move the shifter back to the Low gear position and check that the swivel will still slide easily in and out of the center hole in the selector lever. (If you do not use the center hole in the lever, it will be impossible to correctly adjust the cable.) Operate the shifter through all the gear positions. Check to make sure swivel will slide in and out of the center selector lever hole in each gear position. The shift cable is now correctly adjusted. Install the cotter key supplied with the shifter into the swivel and spread the key ends.

If you have a problem, **DO NOT FORCE THE SHIFTER**, this will damage the cable, the shifter or the transmission. Simply start at the beginning and check all your steps.

12. On GM vehicles the neutral safety switch may be located on the shifter (steering column or console), or it may be a mechanical interlock in the steering column that prevents the key from turning to the Start position unless the shifter is in the Park or Neutral position. Identify the type of neutral safety system you have. If the key will not turn to the Start position unless the stock shifter is in Park or Neutral, you have a mechanical interlock, otherwise you have a neutral safety switch. If you have a neutral safety switch, locate and identify the neutral safety wires (engine will not crank unless these wires are connected together). With either type, disconnect the battery ground cable to prevent accidental shorts. If you have a neutral safety switch, extend both wires from the GM switch to the switch on the shifter. If you have a mechanical interlock cut the wire that goes from the start position on the ignition switch to the solenoid on the starter. This wire is usually a 10 or 12 gauge purple wire. Run wires from both ends of the cut wire to the shifter. Put slip on terminals on the ends of the lengthened wire. Crimp the terminals onto the wires using a crimping tool or pliers. Connect the wires to the neutral safety switch on the shifter, on the driver's side of the shifter. Connect the backup light wires to the switch on the other side of the shifter. Tape the terminal connections and all other connections to prevent shorts. Reconnect the battery ground cable, disconnect the coil wire and set the parking brake. Check the switch operation by attempting to start the motor in each shifter position. **The starter must crank only when shifter is in the Park or Neutral position.** Adjust the switches if required. Reconnect the coil wire. Go to Step 25.

## FORD

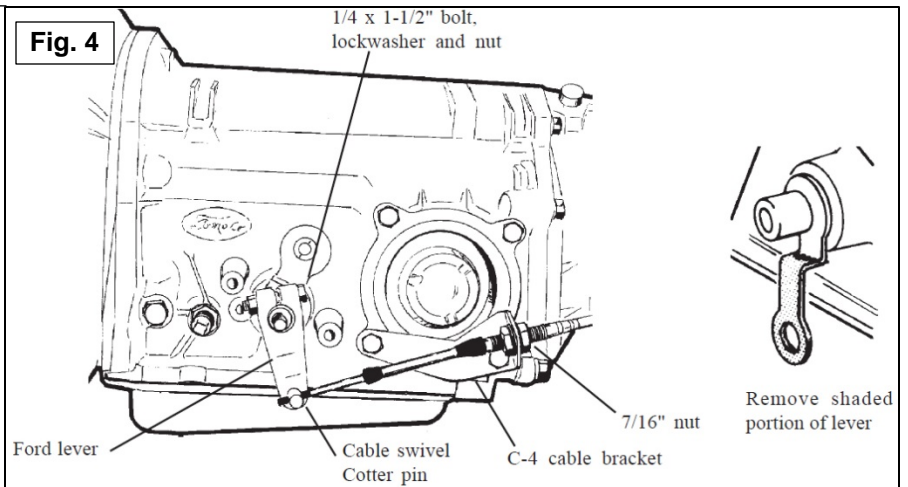
13. If you have not already done so, remove the nut and lockwasher holding the downshift linkage onto the downshift lever shaft. The downshift lever is the outer lever on C-4, C-5 and C-6 transmissions. Pull the lever off the shaft and allow the linkage to hang free. Remove and discard the stock shift linkage rods. Some C-6 and all (late) C-4 and C-5 transmissions have a neutral safety/back up light switch on the transmission shift lever. If your transmission is so equipped, remove the two bolts holding the switch in place and slide it off the shift shaft. Disconnect the switch at the factory plug and discard it.

14. Install the B&M selector lever (See Fig. 4 or 5). Note: The B&M lever must point downward for proper operation. If the stock shift lever on your transmission points down, you will have to remove the lower part of the stock arm by cutting it off to clear the B&M lever (See Fig. 4). Install the B&M selector lever onto the shift shaft of the transmission. Align the selector lever so when it points straight down it travels equal arcs in both directions from the center, then tighten the ¼"-20 × 1½" pinch bolt and the nut. The lever should travel smoothly from front to back with a positive click in each gear position. Make sure the O-ring is in position on the downshift shaft and install the downshift lever in position on the shaft. Install the lockwasher and the nut and tighten securely. The downshift lever must operate smoothly. Reconnect the downshift linkage.

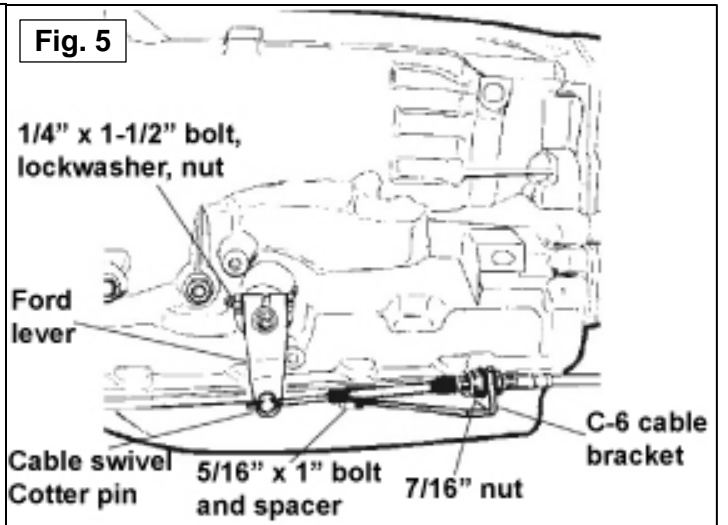


15. Cable bracket installation:

**C-4, C-5:** Remove the two lower bolts from the rear servo cover. Install the cable bracket in position (See Fig. 4). Install the two servo cover bolts as removed and tighten to 12-13 lb-ft. Do not overtighten as this can distort the servo cover.



**C-6:** Remove the two transmission oil pan bolts from the left rear corner of the oil pan. Install the cable bracket into position with the two spacers between the pan and the bracket (See Fig. 5). (If your transmission is equipped with a cast aluminum oil pan, these spacers can be omitted). Install the two supplied 5/16"-18 x 1" bolts and tighten to 12-13 lb-ft. Do not overtighten as this can damage the pan gasket.



16. Remove the two rubber boots, one large nut, and a large lockwasher from the threaded end of the shifter cable. Route the shifter cable according to Fig. 2. Avoid kinks and sharp bends and route the cable away from hot engine or exhaust parts. The cable may be secured up and out of the way with nylon cable ties. Slide the end of the cable into the cable bracket, install the lockwasher and large nut over the end of the cable. Position the cable so the threaded portion of the cable housing is centered in the cable bracket. Tighten both large nuts to hold the cable in this position. Install the two rubber boots onto end of cable.

17. Move the transmission selector lever by hand to full rear position (Low). Place the shifter lever to the Low gear position (all the way back). Adjust the large nuts on the cable so that the swivel will slide into the hole on the selector lever. Tighten the large nuts completely. Be sure that the swivel will slide freely in and out of the hole in the selector lever.

With the swivel in the selector lever, shift the shifter to the Park position, as far forward as the shifter will go without forcing it. (The shifter has further travel that is used to reach the GM Park position but is not used on Ford transmissions. Trying to force the cable will damage the cable.) The shift lever on the transmission should be all the way forward. Check to see that the swivel will slide freely in and out of the hole in the lever in this position. If it does not slip in freely, adjust the swivel slightly until it will slip into the hole in the lever in both Low and Park positions. Operate the shifter through all the gear positions. Check to make sure the swivel will slide in and out of the selector lever hole in each gear position. Install the cotter key supplied with the shifter into the swivel and spread the key ends.

**Note:** If you have a problem, **DO NOT FORCE THE SHIFTER**, this will damage the cable, the shifter or the transmission. Simply start at the beginning and carefully check all your steps. Reinstall the downshift linkage, tightening the nut securely.

**IMPORTANT:** Do not force the shifter to over travel into the Park position. This will move the shifter into GM Park position and will damage the cable or transmission.

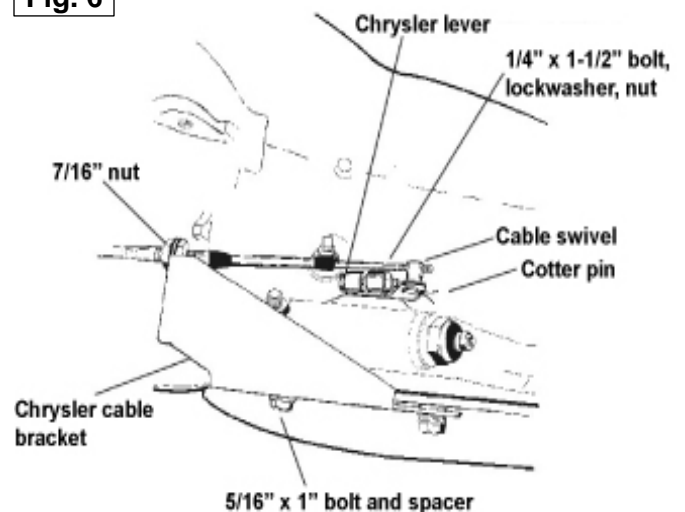
18. On Ford vehicles, the neutral safety/backup light switch is located on the transmission (or on the steering column on some early vehicles). If the vehicle has an AOD transmission the neutral safety/backup light switches on the B&M shifter will NOT be used. The neutral safety/backup light switch on the AOD transmissions will continue to function normally.

On the C-4 and C-5 transmissions it is necessary to completely remove the stock neutral safety/backup light switch in order to install the B&M transmission shift lever. On C-4, C-5 and C-6 transmissions, it will be necessary to hook up the neutral safety/backup light switches on the B&M Z-gate shifter. Locate and identify the neutral safety (the engine will not crank unless these wires are connected together), and reverse light wires. Disconnect the battery ground cable before beginning to wire the neutral safety and reverse light switches. Reroute the wires to the shifter. Strip 1/4" insulation off the wires and install the supplied slip-on terminals. Crimp the terminals onto the wires using a crimping tool or pliers. Connect the neutral safety wires to the switch on the driver's side of the shifter and the backup light wires to the other switch (See Fig. 1). Tape the terminal connections to prevent shorts. Reconnect the battery ground cable, disconnect the coil wire and set the parking brake. Check the switch operation by attempting to start the motor in each shifter position. **The starter must crank only when the shifter is in the Park or Neutral position.** Check the backup light operation when the shifter is shifted to the Reverse position. Adjust the switches if required. Reconnect the coil wire. Go to Step 25.

## CHRYSLER

19. If you have not already done so, loosen the pinch bolt on the throttle lever on the transmission. This is the lever on the small diameter shaft. Pry the lever off with a screwdriver and allow the linkage to hang free. Remove and discard the stock shift lever and the stock shift linkage. Install the B&M selector lever in position and tighten the pinch bolt securely (See Fig. 6). Make sure the lever is not pushed down so far as to touch the transmission case. This will cause the lever to bind on the case. The lever should travel smoothly from front to back with a positive click in each gear position. Install the stock throttle lever in position on the small diameter shaft as removed and tighten the pinch bolt securely. The throttle lever must operate smoothly.

**Fig. 6**



20. Remove the two transmission oil pan bolts directly below the shift lever. Install the cable bracket in position (See Fig. 6) with two spacers between the pan and the bracket. (If your transmission is equipped with a cast aluminum oil pan these spacers can be omitted.) Install the two 5/16"-18 x 1" pan bolts supplied and tighten to 12-13 lb-ft. Do not overtighten as this can damage the pan gasket.

21. Remove two rubber boots, one large nut, and a large lockwasher from the threaded end of the shifter cable. Route the shifter cable according to Fig. 2. Avoid sharp bends and route the cable away from hot engine and exhaust parts. The cable may be secured up out of the way with nylon cable ties. Slide the end of the cable into the cable bracket, install the lockwasher and large nut over the end of the cable. Position the cable so the threaded portion of the cable housing is centered in the cable bracket. Tighten both large nuts to hold the cable in this position. Install the two rubber boots onto the end of the cable.

22. Move the transmission selector lever by hand to the full forward position (Low). Place the shifter lever to the Low gear position (ratcheted all the way back). Adjust the large nuts on the cable so that the swivel will slide into the hole on the selector lever. Tighten the large nuts completely. Be sure that the swivel will slide freely in and out of the hole in the selector lever.

With the swivel in the selector lever, move the shifter to the Park position, as far forward as the shifter will go without forcing it. (The shifter has further travel that is used to reach the GM Park position but is not used on Chrysler transmissions. Trying to force the shifter will damage the cable.) The shift lever on the transmission should be all the way back. Check to see that the swivel will slide freely in and out of the hole in the lever in this position. If it does not slip in freely, adjust the swivel slightly until it will slip into the hole in the lever in both the Low and Park positions. Operate the shifter through all the gear positions. Check to make sure swivel will slide in and out of the selector lever hole in each gear position. Install the cotter key supplied with the shifter into the swivel and spread the key ends.

**Note:** If you have a problem, **DO NOT FORCE THE SHIFTER**, this will damage the cable, the shifter or the transmission. Simply start at the beginning and carefully check all your steps.

**IMPORTANT:** Do not force the shifter to over travel into the Park position. This will move the shifter into GM Park position and will damage the cable or the transmission.

23. Check the operation of the throttle linkage again. The linkage must operate smoothly with no bind. All transmissions using automatic valve bodies must have the throttle linkage connected and operating or transmission damage will result.

**IMPORTANT:** Before installing the T-handle onto the shifter put Loctite on the threads of the stick. The T-Handle may gall on the threads of the stick and make it impossible to remove the handle from the stick. If this occurs it can cause the stick to break if you use excessive force while attempting to remove the knob from the stick.

24. Neutral safety/backup light switch.

**'66-'68:** The neutral safety switch will continue to function normally. It will not be necessary to hook up the neutral safety switch wires on the shifter. Disconnect the battery ground cable before wiring the backup light switch. Locate the original backup light switch on the steering column or the console shifter. Run these wires to the switch on the passenger's side of the B&M Z-Gate (See Fig. 1). Reconnect the ground wire and check the light for proper operation. Adjust the switches on the shifter if required.

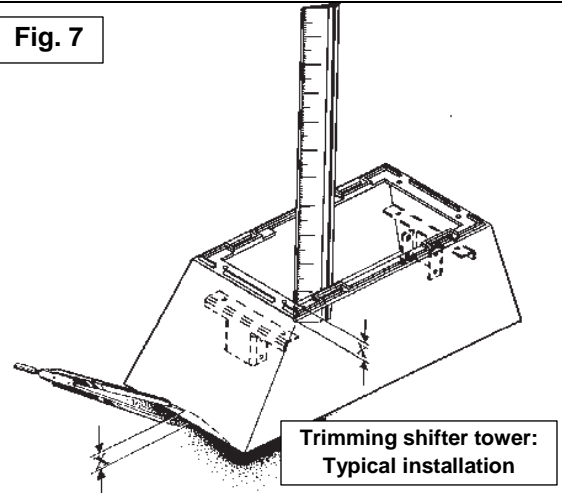
**'69 and Later:** The neutral safety/backup switch is located on the transmission and will continue to function normally. It will not be necessary to connect any wires to the switches on the shifter.

25. Remove the T-handle, the jam nut and the small trigger knob and rod from the shifter. To remove the trigger knob and rod remove the spring clip at the bottom of the rod and pull the assembly upwards. There is a small rubber O-Ring between the rod and the "U" shaped stamping, do not lose it (See Fig. 1).

Install the gear indicator tape on the side of the stick using the dimensions given in Fig. 1.

Place the black tower over the shifter mechanism until the bottom edge of the tower touches the floor. Hold the tower level to the shifter with the bottom of the tower touching the highest surface on the floor it will come into contact with (See Fig. 7). Use a ruler to measure the distance X from the underside of the tower to the tower mounting brackets on the shifter mechanism.

Fig. 7



26. Set a pair of dividers at the distance X, measured in Step 25. Hold the tower level to the shifter mechanism with the bottom of the tower touching the highest surface on the floor it will come into contact with. Holding the tower in position, place one leg of the divider against the floor while the other touches the tower (See Fig. 7). Using the dividers, scribe a line around the tower that follows the contour of the floorboard. Remove the tower and trim at the scribe line using tin snips. Once the tower is properly trimmed, install it using two #10 self-tapping screws.

27. Slip the chrome cover over the shifter stick. Replace the trigger rod assembly and reinstall the spring clip. Replace the small rubber O-Ring between the rod and the "U" shaped stamping (See Fig. 1). Press the cover tabs into the slots in the tower to snap it in place. Move the shifter through the full travel and notice the clearance in the cover slot. If the stick rubs the cover, either the cover or the tower is improperly installed. Replace the T-handle and the jam nut.

## CHECKLIST

\_\_\_ Locking steering column lever is permanently fastened in the full up position. Step 1.

\_\_\_ Shifter is convenient to reach and has ample room for your hand in both park and low gear. Step 2.

\_\_\_ Carpet covers floorboard holes. Step 4.

\_\_\_ Cable is securely fastened to the shifter and held with E-Clip. Step 6.

\_\_\_ Shifter is securely mounted to floorboard. Step 8.

\_\_\_ Shifter cable is clear of exhaust system, engine and any moving parts. Step 7.

\_\_\_ Throttle lever and shift lever are tight on transmission. GM step 9, Ford Step 14, Chrysler Step 20.

\_\_\_ Oil pan bolts are tightened to 12-13ft.lbs. GM Step 10, Ford Step 16, Chrysler Step 21.

\_\_\_ Shifter is properly adjusted. Cable boots are installed, cable nuts are tightened and swivel is secured with cotter key. GM Step 11, Ford Step 17, Chrysler Step 22.

\_\_\_ The neutral safety switch is connected and properly adjusted to prevent engine starts in drive gears and reverse. GM Step 12, Ford Step 18, Chrysler not required.

\_\_\_ There is no debris in the shifter mechanism.

\_\_\_ Tower is trimmed and securely held with two screws. Step 26.

\_\_\_ Chrome cover snapped into place and shift position indicator correctly aligned. Step 27.

\_\_\_ Shifter moves freely in all positions as described in Shifter Operation.

\_\_\_ If your shifter is not working properly do not attempt to drive your car. Make sure you have followed all instructions. If the shifter is broken or defective return it to your B&M dealer.

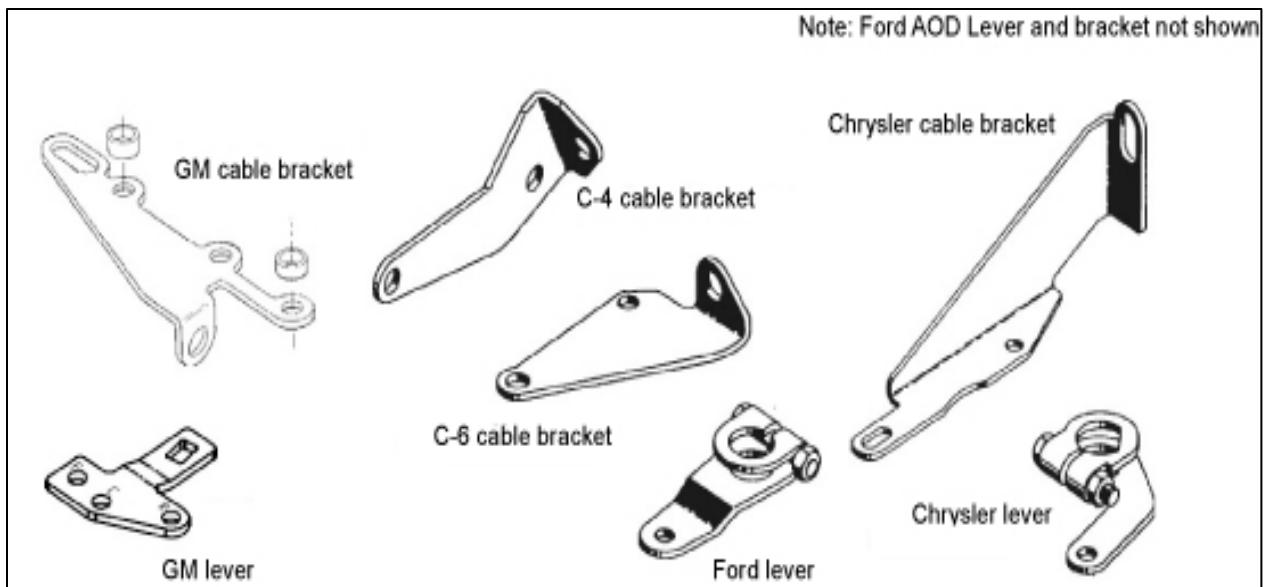
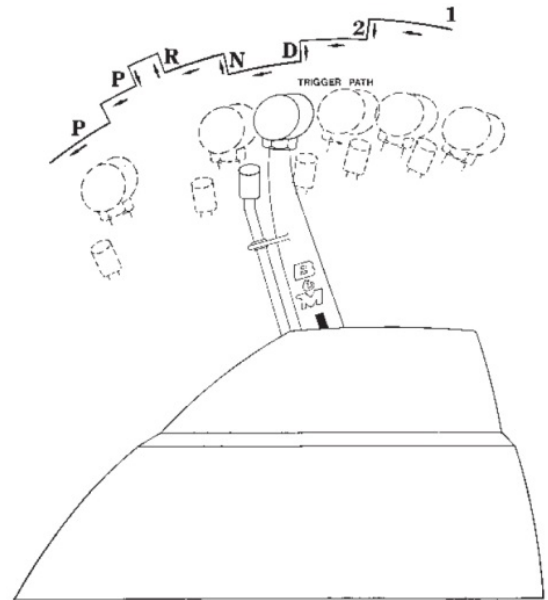


## OPERATION

Operation of the **B&M Z-gate** shifter is quite simple. After you run it through the gate positions two or three times, you will find it easy to use.

Fig. 8 shows the stick and trigger positions that correspond to various transmission positions. The indicator decal will line up with the correct gear positions on the chrome cover. Study the illustration and operate the shifter to all positions by lifting or dropping the trigger and moving the stick. Note: There are two Park positions on the shifter. The one closest to Reverse is used on Ford and Chrysler vehicles. The forward one is used on G.M. vehicles. The stick will move between Neutral and Drive positions without lifting the trigger. To engage Reverse from Neutral, lift the trigger slightly and push the stick forward. To engage Park from Neutral or Reverse, lift the trigger fully and push the stick forward until it stops, then release the trigger. The shifter will lock in Park position and you must lift the trigger to Reverse or Neutral. When downshifting, Drive to 2 or 2 to 1 you must lift the trigger and pull the stick back. When upshifting, 1 to 2 or 2 to Drive, moving the stick with a quick, firm push will cause the trigger to stop in each gear position. Moving the stick slowly will allow the trigger to slide through the gears without stopping.

**Fig. 8**

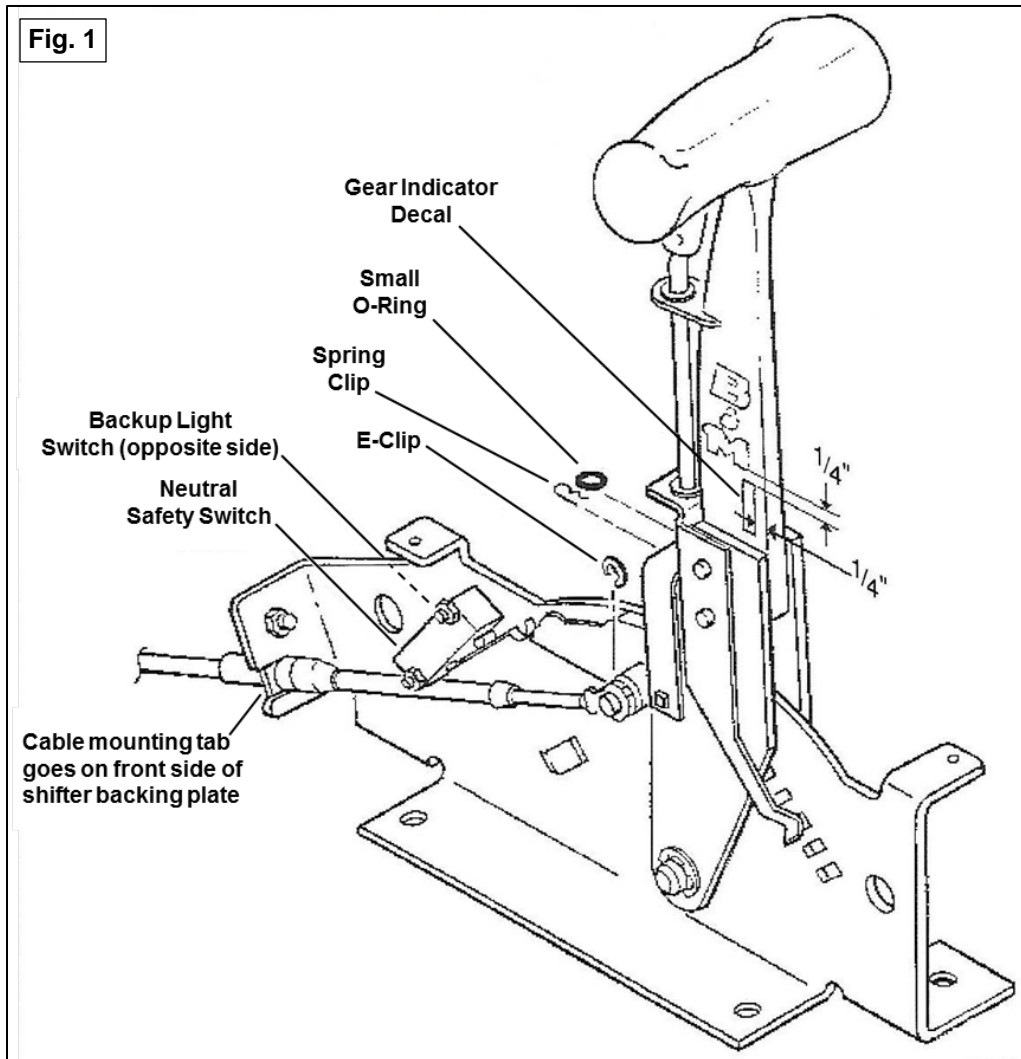


## WARNING

PERIODIC INSPECTION AND MAINTENANCE OF YOUR SHIFTER IS RECOMMENDED TO ENSURE THAT THE MECHANISM IS WELL LUBRICATED, FREE FROM DIRT OR RUST AND THAT THE CABLE IS PROPERLY ADJUSTED. LACK OF MAINTENANCE COULD RESULT IN A FAILURE INCLUDING A FAILURE OF THE REVERSE LOCKOUT SAFETY FEATURE.

## TOOL LIST

1 Common Screwdriver	1 Drill Motor	1 Drift Pin
1 Phillips Screwdriver	1 9/32" Drill Bit	1 Center Punch
1 7/16" Wrench	1 1" Hole Saw	1 Pliers
1 1/2" Wrench	2-4 Jack Stands	1 Ruler
1 9/16" Wrench	1 0-25 lb-ft Torque Wrench	1 Dividers
2 11/16" Wrench	1 File	1 Hack Saw
1 3/4" Wrench	1 Tin Snips	1 Knife
1 Small Adjustable Wrench	1 Wire Stripper	1 Electrical Tape
1 Ratchet Wrench	1 Wire crimper	A/R Nylon Tie Wraps (to secure cable)
1 7/16" Socket	1 Tin Snips	
1 1/2" Socket	1 Hammer	



**IMPORTANT: RETAIN THESE INSTRUCTIONS FOR FUTURE REFERENCE**

