



## # 82085 Traction Control Window Switch

Thank you for choosing ZEX™ products; we are proud to be your manufacturer of choice. Please read this instruction sheet carefully before beginning installation, and also take a moment to review the included limited warranty information.



### What makes the Traction Control Window Switch so unique?

- Lets you set when the nitrous comes on and when it shuts off, based on the engine's rpm
- Traction control, Skip-Shift Technology lets you select what gear the nitrous will be activated in
- Easily hooks up to a ZEX™ system or activates other nitrous systems using a standard automotive relay
- Can be used to control a second stage of nitrous
- Adjustable up to 20,000 rpm

### How the ZEX™ Traction Control Window Switch works:

The Traction Control Window Switch receives an rpm signal from the engine's ignition. It accepts most tach signals, including low-voltage and irregular signals, such as those found on many V10s. Through programming, the user has total control at what rpm the nitrous comes on and shuts off. Additional programming of the switch lets you select what gear in which the nitrous begins to spray. In the case of a ZEX™ EFI nitrous system, the Traction Control Window Switch interrupts the TPS signal going to the nitrous management unit. With a non-ZEX™ nitrous system, the Traction Control Window Switch can control a standard automotive relay, connected to the non-ZEX™ system's solenoids.

### **How Skip-Shift Technology works:**

One of the most unique features of the ZEX™ Traction Control Window Switch is its Skip-Shift Technology. The Skip-Shift feature allows you to select what gear the nitrous begins to spray in. This feature is especially beneficial to vehicles with street tires that would normally have traction issues if nitrous were sprayed in first gear, or in some instances, even second gear. Skip-Shift knows what gear you are in by watching the number of times your deactivation rpm point has been passed. For example, if the window switch's deactivation rpm is set at 6000 rpm, you need to ensure that you pass that rpm point before you shift the vehicle. In other words, if you enter a "2" into the Traction Control Skip-Shift menu, you will have to pass 6000 rpm twice before the nitrous will begin to spray. To reset the Skip-Shift feature after a run, simply turn off the power to the switch, and turn it back on again.

### **WARNING!!!!**

The white output lines are normally an open circuit (current cannot pass), but when the switch is activated, they become a closed circuit (current can pass). This circuit is rated at a maximum current of 0.5 amps, so attempting to control any device that draws greater than 0.5 amps will cause damage to the circuits of the switch. The Traction Control Window Switch requires 9–18 volts to operate correctly.

### **DISPLAY FUNCTIONS WHILE IN RUN MODE:**

- **Number display A, B, and C** – The three digit display shows the engine's rpm x 100 (i.e. 045 = 4500 rpm)
- **Active Indicator Light** – When illuminated, the switch is in-between the rpm set points and is activating the nitrous system
- **Lockout Indicator Light** – When illuminated, the unit is waiting for the vehicle to pass through a gear before spraying nitrous

### **SWITCH AND DISPLAY FUNCTIONS WHILE PROGRAMMING:**

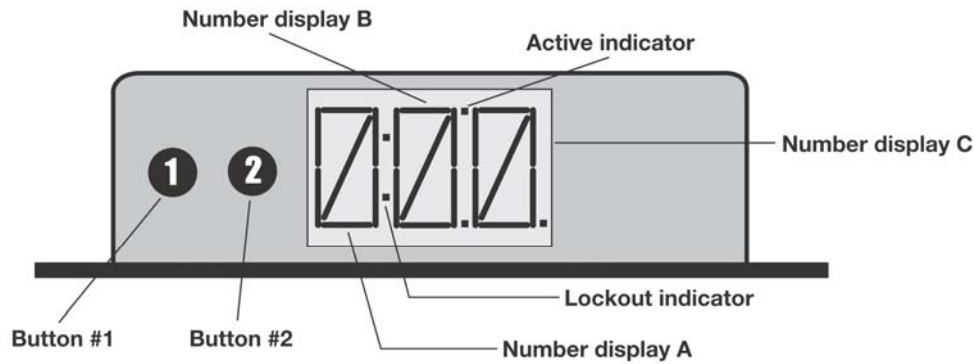
**Button #1** – Toggles through the configuration menu

**Button #2** – Increments the flashing value that is selected

**Number A** – Displays the current step in the programming process

**Number B** – Value for the current configuration step

**Number C** – Value for the current configuration step



## INSTALLATION INSTRUCTIONS:

1. **Mount** – Mount the Traction Control Window Switch under the hood or inside the vehicle.
2. **Wire** – Wire the switch per the wiring diagrams.
3. **Program** – Program the switch with your desire rpm limits and skip-shifts.
4. **Enjoy!** After everything has been checked over and the wiring verified to be correct, enjoy your ZEX™ Traction Control Window Switch.

## PROGRAMMING THE TRACTION CONTROL WINDOW SWITCH:

To enter the programming mode, press and hold both buttons until “Pro” is displayed. Now, release the buttons, and the unit will automatically go to the first configuration step.

### STEP 1: TACH signal set-up

Number display B and C should be set to the chart below (Number display A is not used in this step):

- 0 0** = individual coil per cylinder systems where the TACH wire is connected to the coil
- 0 1** = coil packs that fire in pairs (waste spark systems) and the TACH wire is connected to the coil
- 0 2 ~ 1 2** = number of engine cylinders, from 2 to 12, where the TACH wire is connected to the tach from the engine electronic controller or distributor

### STEP 2: Traction Control Skip-Shift

**Number display C** = how many times you must pass the deactivation set point before the switch will activate the nitrous. 0 turns this option off.

### STEP 3: Activation RPM

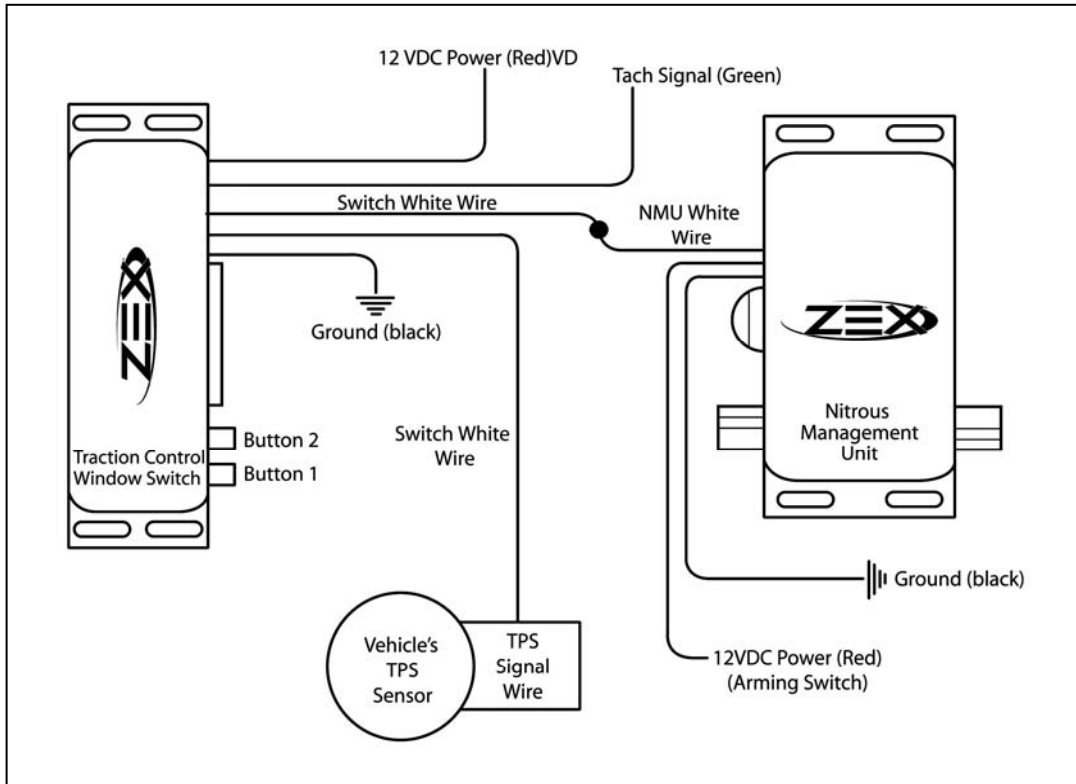
**Number display A, B, and C** = Represents the engine’s activation rpm x 100 (i.e. 035 = 3500rpm)

### STEP 4: Deactivation RPM

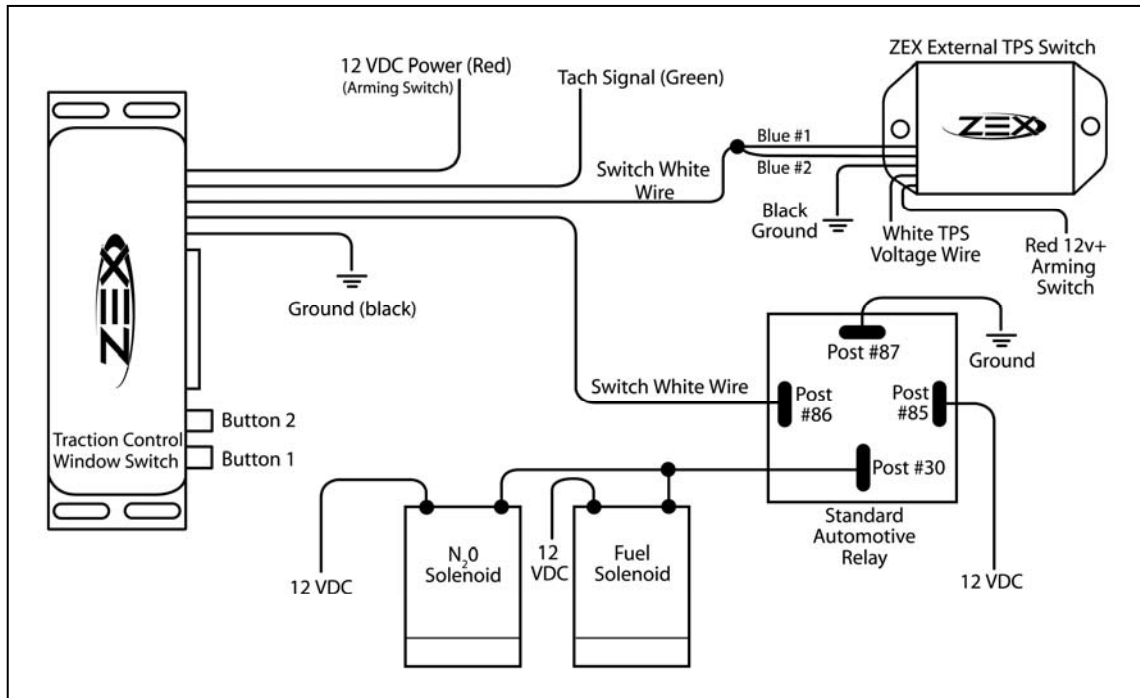
**Number display A, B, and C** = Represents the engine’s deactivation rpm x 100 (i.e. 095 = 9500rpm, or 155 = 15,500rpm)

You will see **End** when the programming is complete.

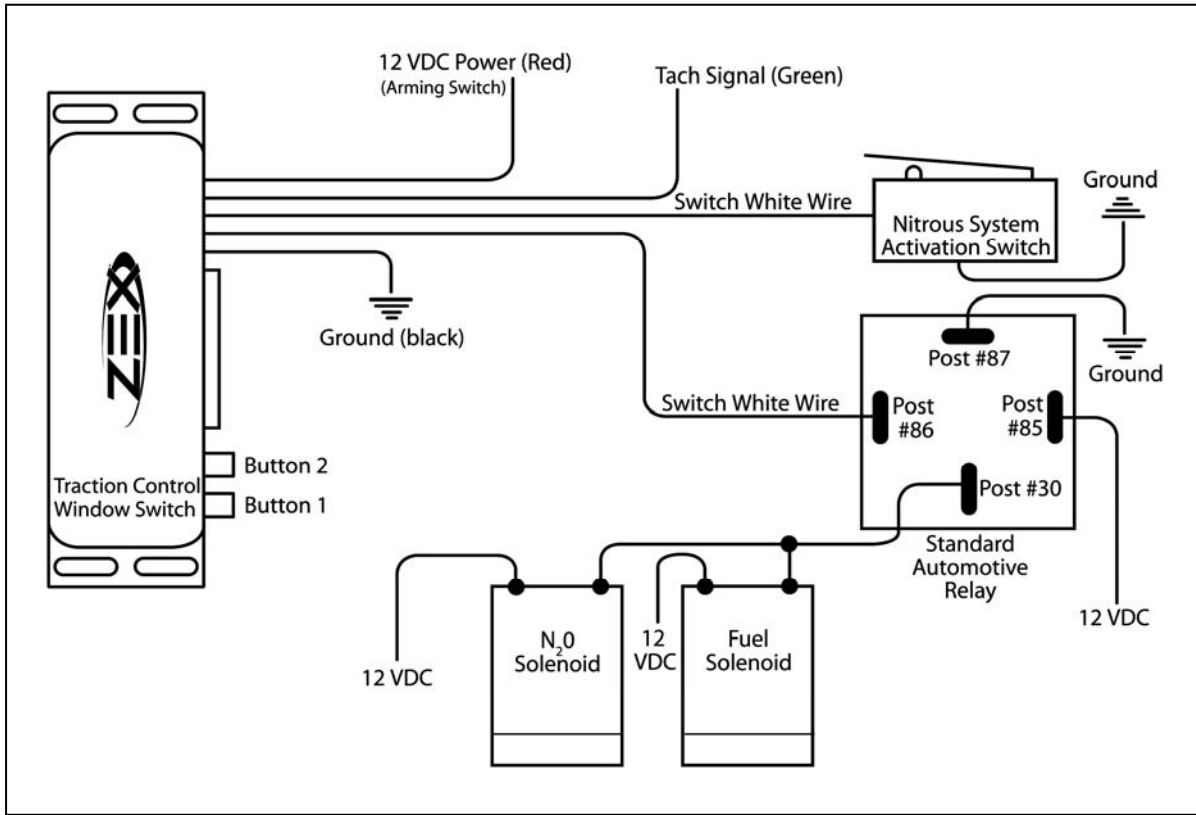
**Wiring Diagram w/ ZEX™ Nitrous Management Unit**



**Wiring Diagram w/ External Solenoids and ZEX™ TPS Switch**



**Wiring Diagram w/ External Solenoids and Mechanical WOT Activation Switch**



## Limited Warranty

ZEX™ warrants that all of its products are free from defects in material and workmanship, and against excessive wear for a period of (1) one year from the date of purchase. This **limited warranty** shall cover the original purchaser.

**ZEX's obligation under this warranty is limited to the repair or replacement of its product.** To make a warranty claim, the part must be returned within (1) one year of purchase to the address listed below, freight prepaid. Items covered under warranty will be returned to you freight collect.

**It is the responsibility of the installer to ensure that all of the components are correct before installation. We assume no liability for any errors made in tolerances, component selection, or installation.**

**There is absolutely no warranty on the following:**

- A) Any parts used in racing applications;**
- B) Any product that has been physically altered, improperly installed or maintained;**
- C) Any product used in improper applications, abused, or not used in conjunction with the proper parts.**

**There are no implied warranties of merchantability or fitness for a particular purpose.** There are no warranties, which extend beyond the description of the face hereof. ZEX™ will not be responsible for incidental and consequential damages, property damage or personal injury damages to the extent permitted by law. Where required by law, implied warranties or merchantability and fitness are limited for a term of (1) one year from the date of original purchase.

This warranty gives you specific legal rights and you may also have other legal rights, which vary from state to state.