

AVALANCHE REAR MUD GUARD INSTALLATION INSTRUCTIONS

Install Paint Protection Film before mud guards (see other side)

Please read instructions thoroughly before installation.

Tools Required

- 1/8" drill bit / Drill
- Center punch / Hammer
- Short Phillips screwdriver or drill attachment

Package Contents

- Driver & passenger side rear mud guard
- #10 screw (6)
- Washers (6)
- U-clip (6)
- Paint Protection Film (1 set)
- Instruction sheet

NOTE: It may be necessary to remove the wheels depending on the tools being used for installation.

1. Clean and degrease the mud guard location area on the fender before installation.
2. Remove existing fastener from location A and plastic fastener from location C (Figure 1).
3. Install mud guard to rear fender with existing fastener at location A (Figure 1). Check fit and parallel and adjust accordingly before tightening.
4. Install a u-clip, #10 screw and washer at location C. NOTE: If mud guard looks tipped inboard it may be necessary to loosen fasteners and gently pull fender toward the outboard side of vehicle and retighten fasteners.
5. Using mud guard as a template, mark and drill 1/8" holes at locations B and D.
6. Install #10 screw and washer at location D, thru mud guard, fender liner and into a U-clip placed on the backside of fender liner (Figure 2).
7. Install #10 screw and washer at location B, thru mud guard, fender and into a U-clip placed on the backside of fender.

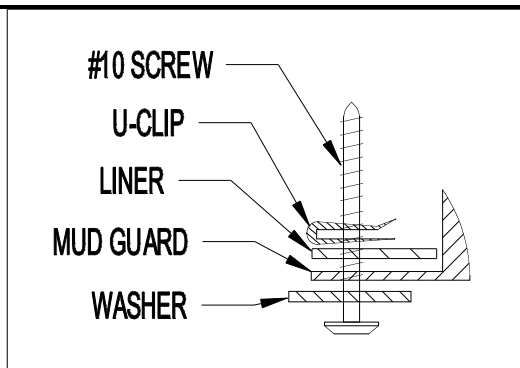


Figure 2

USE FACTORY
FASTENER

#10 SCREWS
& WASHERS

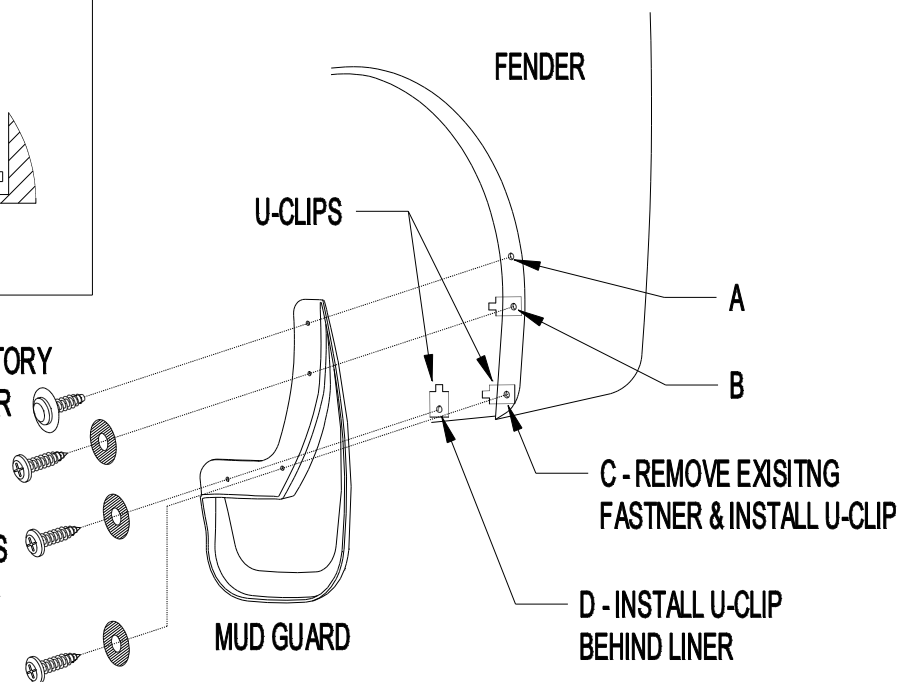


Figure 1

PAINTING INSTRUCTIONS

1. Clean mud guard with a soap and water solution to remove dirt and other contaminants.
2. Sand painting surface with 320 grit sand paper.
3. Apply a coating of flexible primer-adhesion promoter.
4. Apply a flexible paint as directed by the paint manufacturer.

**PAINT PROTECTION FILM
INSTALLATION INSTRUCTIONS**

NOTE: *The Paint Protection Film is a precut template of film used to protect the mud guard mounting surfaces of your fenders against wear. The templates (left and right side) can be removed from the backing liner by folding the liner at the center cut of the template, separating the film sides and peeling the film templates from the backing liner.*

1. Position mud guard on fender to indicate placement location of paint protection film.
2. Clean the placement area of fender with a clean cotton cloth and a petroleum distillate based cleaner such as DuPonts Prep-Sol Brand Solvent Cleaner or 3M Brand Adhesive Cleaner and dry.
3. Mix a wetting solution of 1 pint of water with 4 drops of liquid dishwashing detergent.
4. Mark correct position of film by placing mud guard against fender.
5. Remove protection film from liner and flood adhesive side of film with wetting solution (use a spray bottle or sponge).
6. Thoroughly wet film placement location of fender with wetting solution.
7. Position the adhesive side of film on fender and flood with wetting solution.
8. Check location of film with mud guard and reposition as necessary.
9. Using a sponge, squeegee any air bubbles and wrinkles from film.
10. Allow film to dry before installing mud guard.

