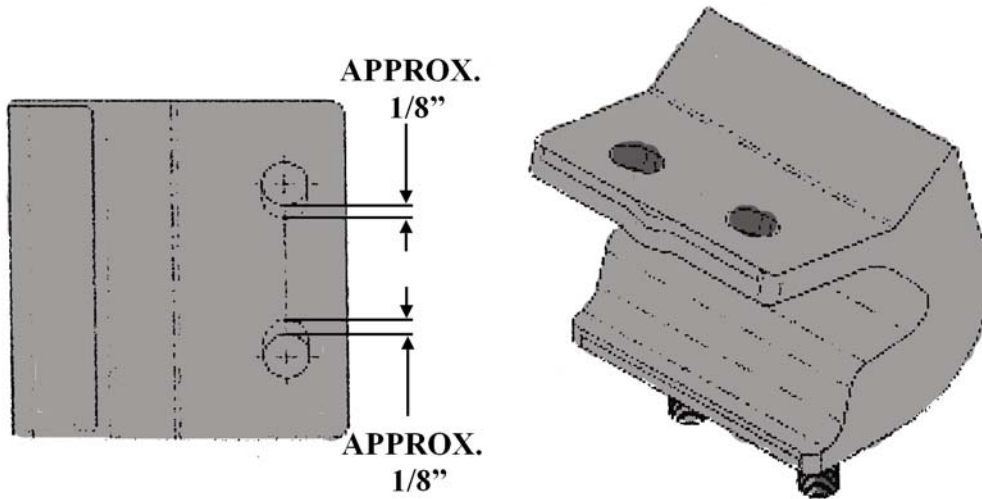


8A-8501-W
FLATHEAD ENGINE MOTOR MOUNTS
INSTRUCTION SHEET

DUE TO VARIATIONS IN WATER PUMPS AND STOCK TYPE ENGINE MOUNTS, IT MAY BE NECESSARY TO SLOT THE MOUNTING HOLES TO THE INSIDE BY APPROXIMATELY 1/8" AS SHOWN IN THE ILLUSTRATION BELOW.



8A-8501-W
FLATHEAD ENGINE MOTOR MOUNTS
INSTRUCTION SHEET

DUE TO VARIATIONS IN WATER PUMPS AND STOCK TYPE ENGINE MOUNTS, IT MAY BE NECESSARY TO SLOT THE MOUNTING HOLES TO THE INSIDE BY APPROXIMATELY 1/8" AS SHOWN IN THE ILLUSTRATION BELOW.

