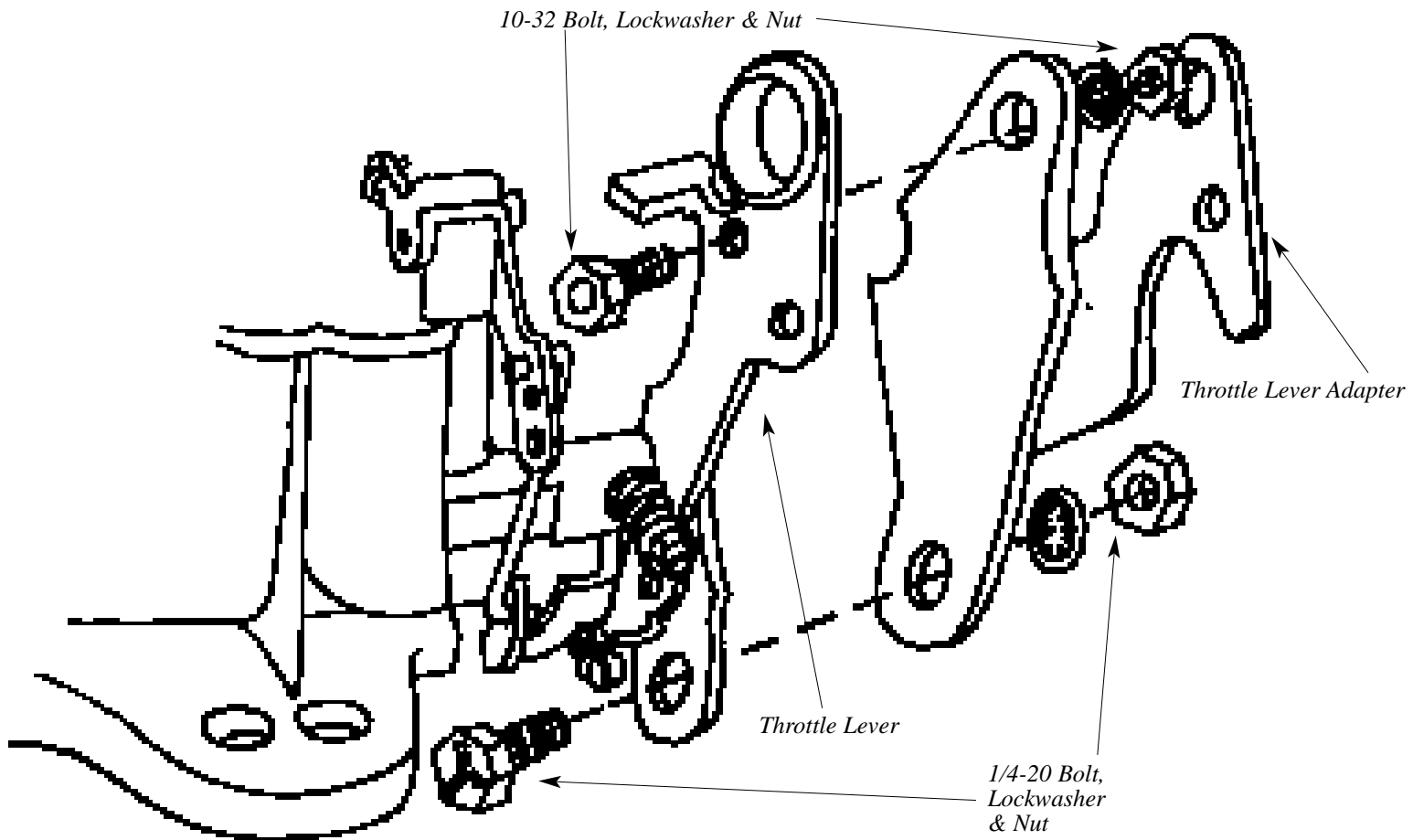


Edelbrock

Chrysler Throttle Lever Adapter Kit Catalog # 1481 Installation Instructions

The #1481 Chrysler Throttle Lever Kit will allow you to connect Chrysler throttle linkages to the Edelbrock Performer Series Carburetor. Please study these instructions carefully before installing your Throttle Lever Adapter Kit.

If you have any questions or problems, do not hesitate to contact our **Technical Hotline at: 1-800-416-8628**.



Kit Contents:

1 Throttle Lever Adapter	1 10-32 Bolt	1 10-32 Nut	1	1	0	-	3	2
Lockwasher	1 1/4-20 Bolt	1 1/4-20 Nut	1	1/4				Lockwasher

Installation of Adapter

- Follow the PERFORMER SERIES CARBURETOR INSTALLATION INSTRUCTIONS included with the carburetor. During step 1 of the PREPARATION OF CARBURETOR FOR INSTALLATION section you should attach the Throttle Lever Adapter to the existing throttle lever using the appropriate bolts, lockwashers, and nuts making sure the adapter is secured properly.
- Continue to install the carburetor using the PERFORMER SERIES CARBURETOR INSTALLATION INSTRUCTIONS.