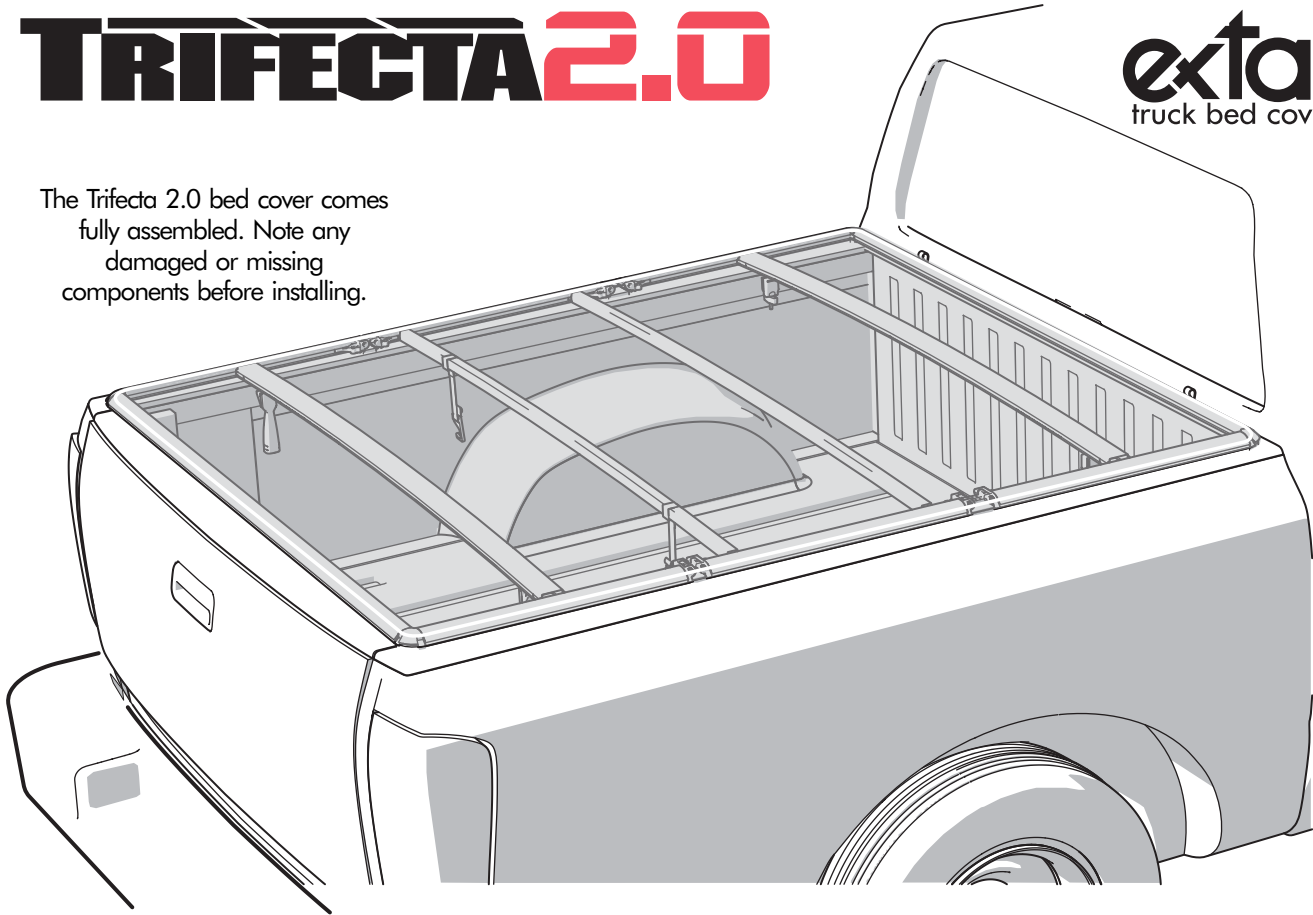


# INSTALLATION SHEET

## TRIFECTA 2.0

**extang**  
truck bed covers

The Trifecta 2.0 bed cover comes fully assembled. Note any damaged or missing components before installing.

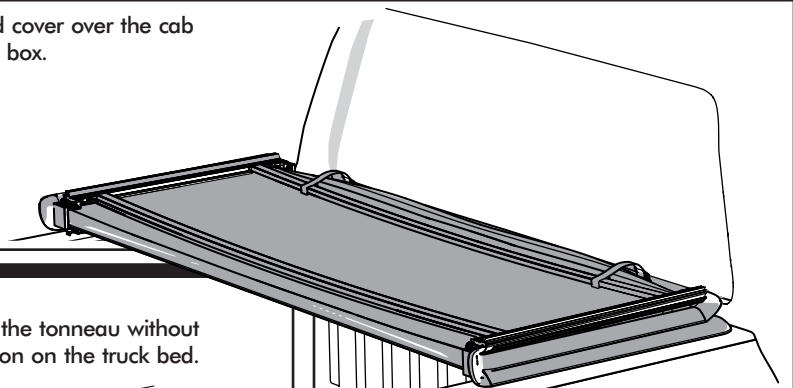


**MISSING PARTS???** call Extang at **1-800-877-2588**  
Any required parts will be shipped to you directly. (DO NOT return whole kit to store)

**1** It is important that all areas where the tonneau mounts are clean and free of debris prior to installing.

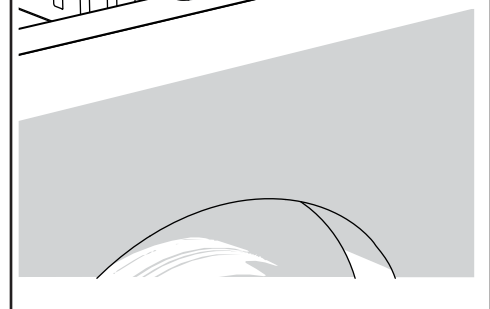
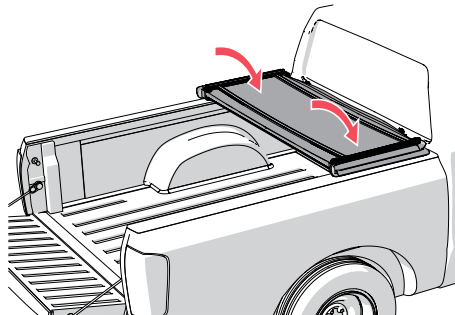
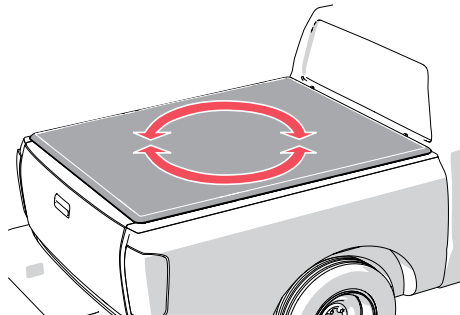


**2** Place assembled cover over the cab end of the truck box.



**3** Unfold the cover fully and adjust position over the truck bed for proper front (cab) / rear (tailgate) alignment.

Carefully refold the tonneau without shifting its position on the truck bed.



Extang Corporation  
5400 S. State Road  
Ann Arbor, MI 48108  
734-677-0444, Fax: 734-677-8409

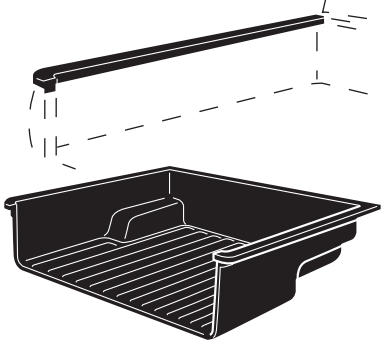


a **TRUCK HERO** company

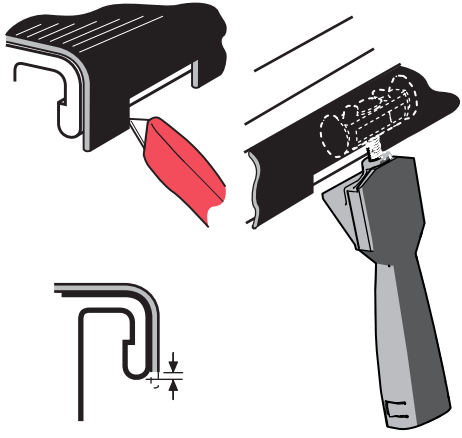
Item No. 31920900-30 11.16 DD  
© Extang Corp., 2016. Printed in USA

**4**

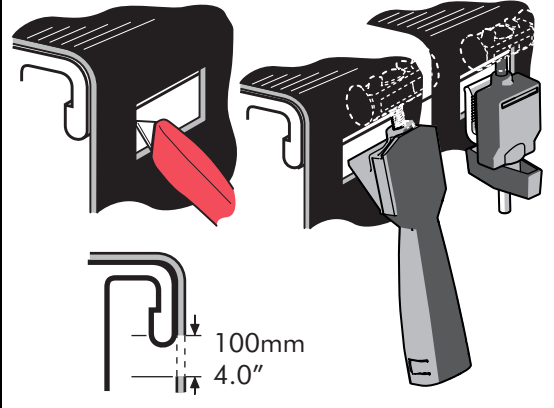
If your truck has a bed cap or bedliner that covers the metal bed wall flange, you will need to remove enough so that all the clamps make solid contact.



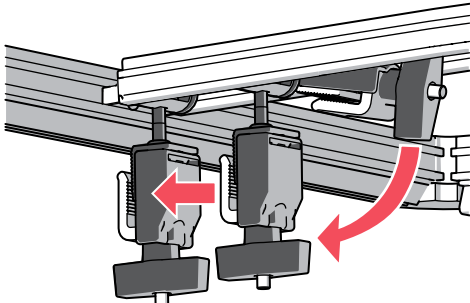
For bed caps, trim only enough of the bed cap edge so the rear (tailgate) clamp contacts the bottom of the metal flange.



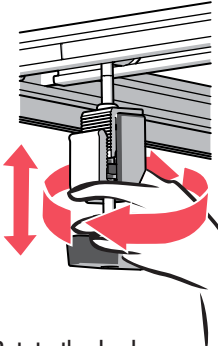
For bed liners that cover the metal flange, trim a minimum of 100 mm or 4" of the liner wall so the clamps contacts the bottom of the metal flange.



**5**

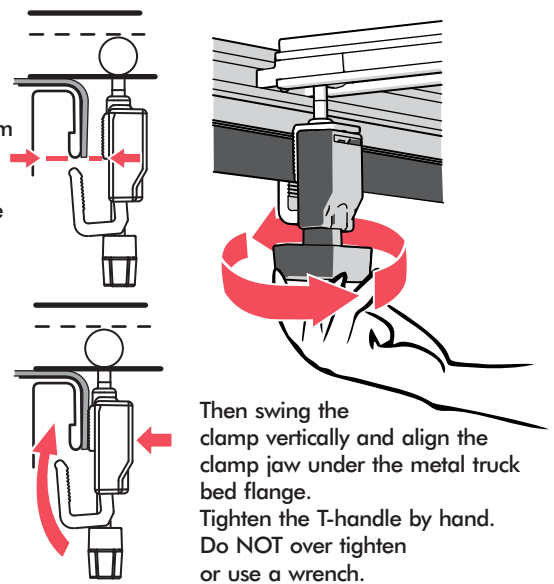


The front (cab) clamp stows in the tonneau panel rail. Rotate the clamp down and slide it towards the bed rail.



Rotate the body of the clamp up or down to match it's position with the bed rail flange.

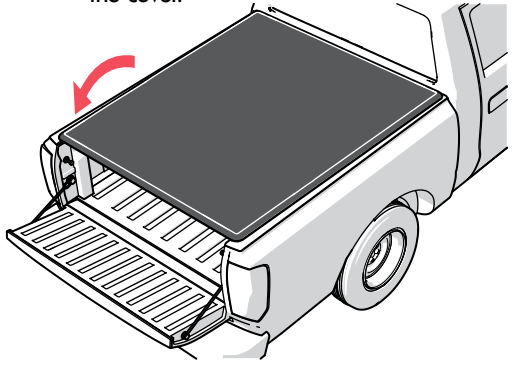
Position the clamp body so that bottom of the ridges match the bottom of the metal flange.



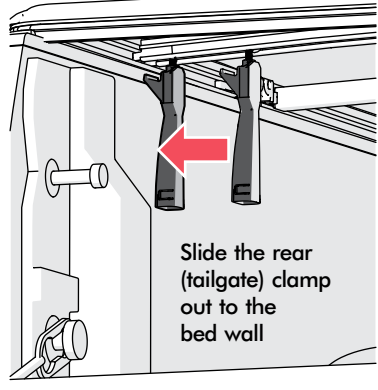
Then swing the clamp vertically and align the clamp jaw under the metal truck bed flange. Tighten the T-handle by hand. Do NOT over tighten or use a wrench.

**6**

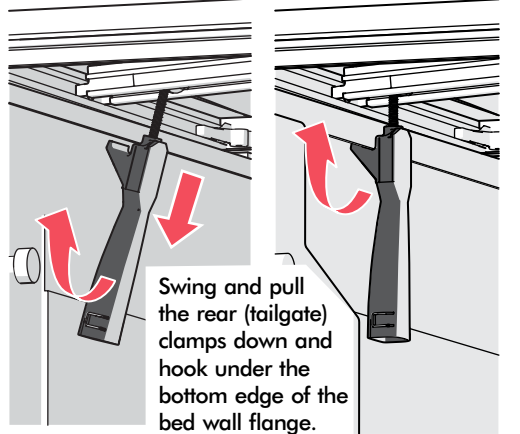
With the tailgate open and the front (cab) clamps secure, completely close the cover.



**7**



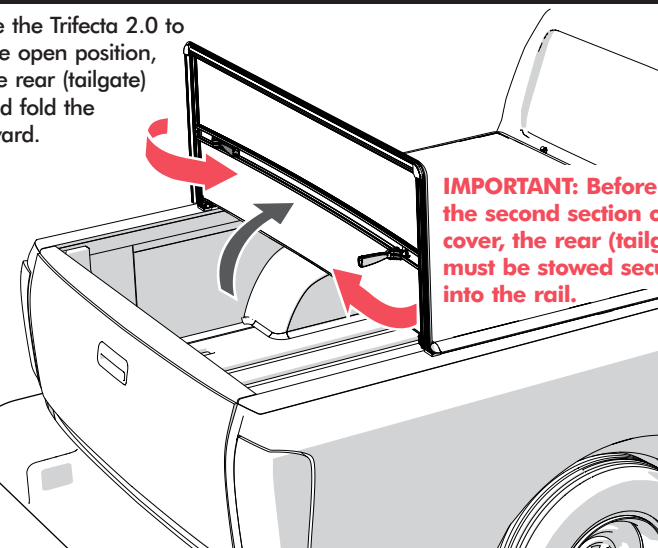
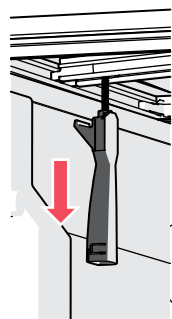
Slide the rear (tailgate) clamp out to the bed wall



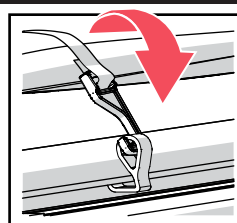
Swing and pull the rear (tailgate) clamps down and hook under the bottom edge of the bed wall flange.

8

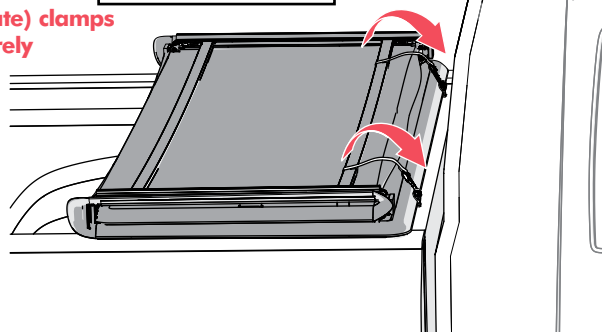
To prepare the Trifecta 2.0 to drive in the open position, release the rear (tailgate) clamps and fold the cover forward.



**IMPORTANT:** Before folding the second section of the cover, the rear (tailgate) clamps must be stowed securely into the rail.



Fold the cover forward and fasten BOTH straps in the middle section to the front rail.



Remove any snow or foreign matter before folding

### IMPORTANT NOTICE

While driving, cover must be completely flat and secure with all four clamps in the closed position or completely folded up (all panels) and secured at the cab. DO NOT DRIVE with cover in partially opened position.

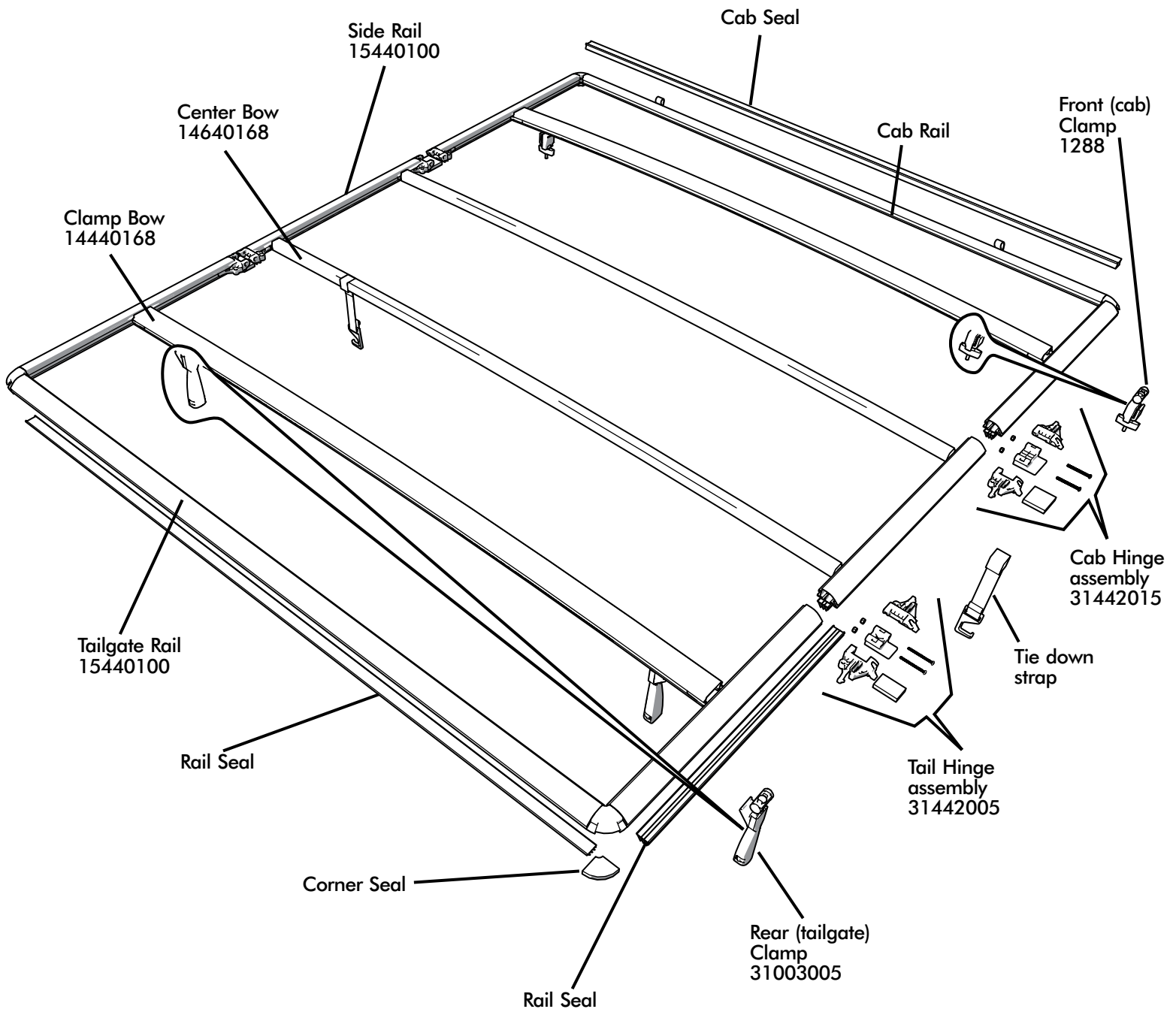
**Do NOT tow your vehicle from the rear with any Extang tonneau cover on your truck**



# TRIFECTA 2.0

## Replacement Parts

NOTE: To order replacement parts, it's best to contact our Customer Service Department for assistance, to ensure getting the correct part for your vehicle application. When ordering, xxx represents the 3-digit suffix, as referenced on the sales receipt or vehicle application list. Customer Service Department: 800-877-2588.



\* Specify: Year, Make, Model, bed length, Driver or Passenger side.

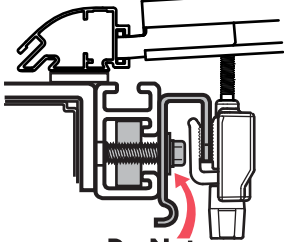
# TRIFECTA 2.0

## Special Instructions for Alternative Brackets

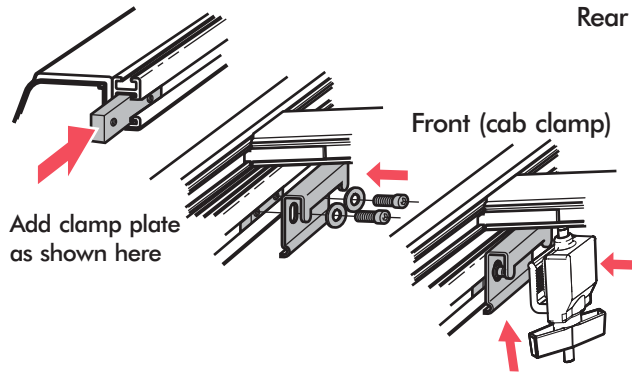
SUPPLEMENT to INSTALLATION INSTRUCTIONS

### Dodge Dakota 08-11

Front (cab clamp)  
Add clamp plate as shown here



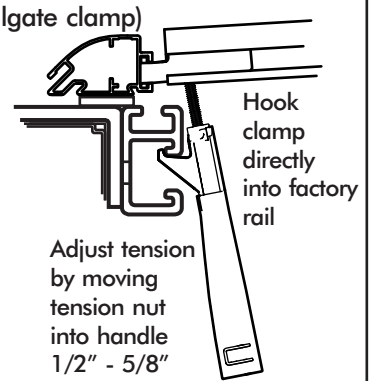
**Do Not Overtighten**



Add clamp plate as shown here

Front (cab clamp)

Rear (tailgate clamp)

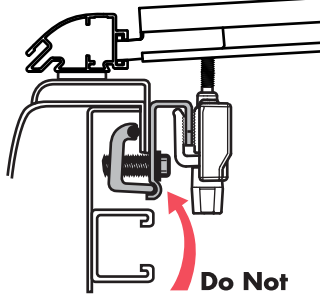


Hook clamp directly into factory rail

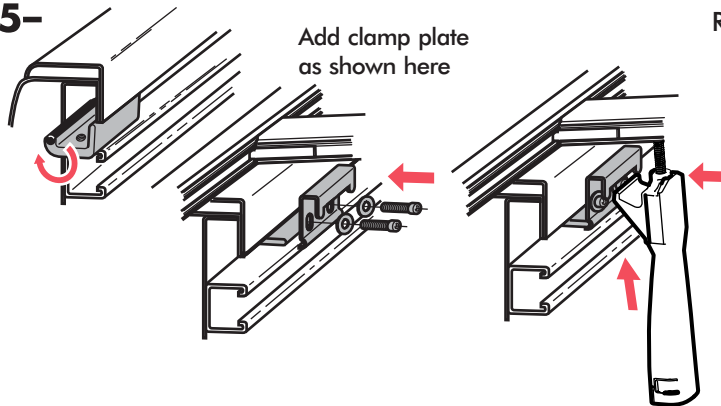
Adjust tension by moving tension nut into handle 1/2" - 5/8"

### Nissan Frontier 2005-

Front (cab clamp)

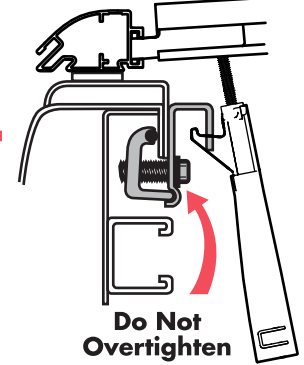


**Do Not Overtighten**



Add clamp plate as shown here

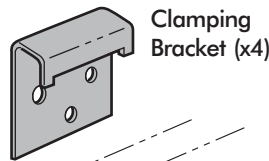
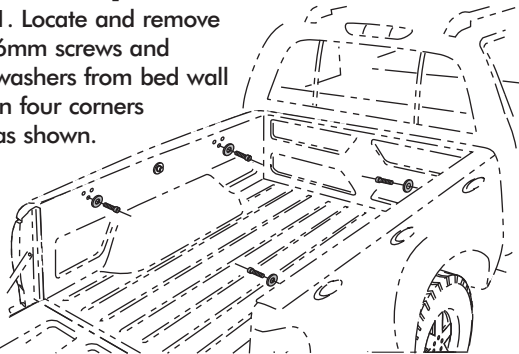
Rear (tailgate clamp)



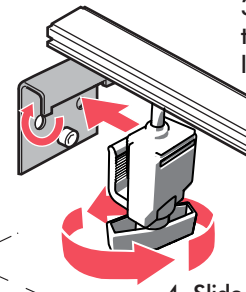
**Do Not Overtighten**

### Ford SportTrac

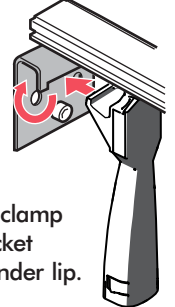
1. Locate and remove 6mm screws and washers from bed wall in four corners as shown.



2. Attach clamping brackets using the factory 6mm screw in the lower exposed hole.



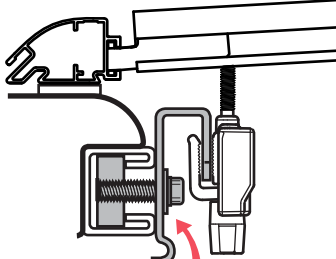
3. Slide front (cab) clamp out to front clamp bracket and latch under lip, tighten by hand.



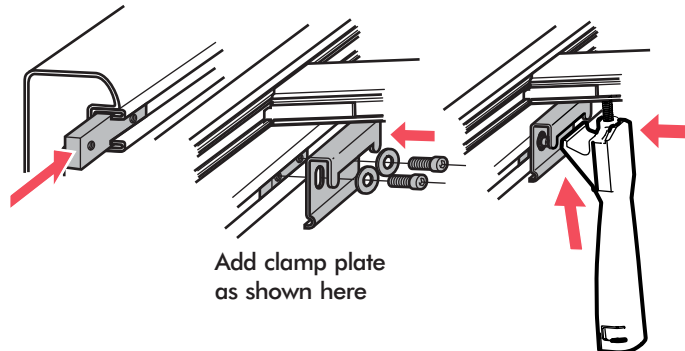
4. Slide rear (tailgate) clamp out to rear clamp bracket pull down and latch under lip.

### All other Cargo Management equipped trucks

Front (cab clamp)

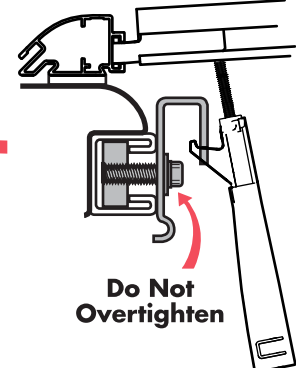


**Do Not Overtighten**



Add clamp plate as shown here

Rear (tailgate clamp)



**Do Not Overtighten**