

SPECIFICATIONS SHEET LINEAR ACTUATORS

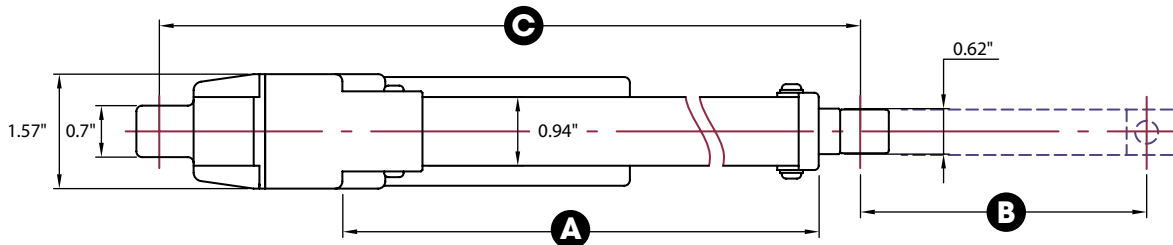


Part#: LA2, LA2X, LA4, LA4X, LA6, LA6X, LA8, LA8X, LA10, LA10X, LA12, LA12X

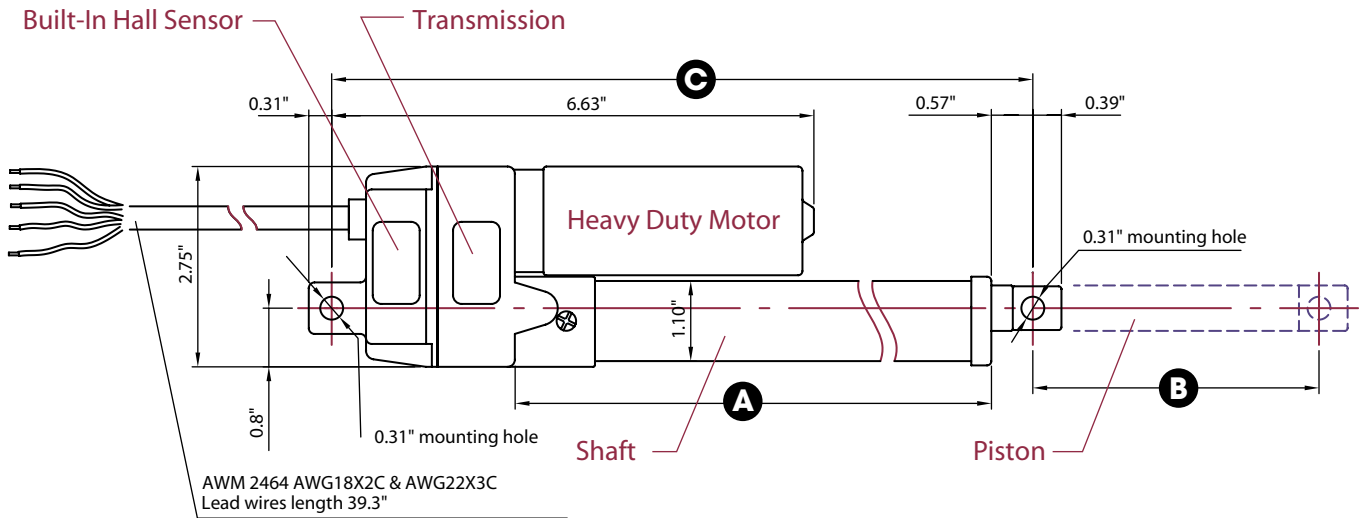
WIRING GUIDE	Used	Not Used
	GREEN - Motor	BLACK - Ground
	BLUE - Motor	RED - Vcc+
		YELLOW - Pulses

OPTIONAL EQUIPMENT AVAILABLE:
An optional smart electronic controller is available for all models of linear actuators. Please contact your sales rep at 1.800.873.4038 for details or visit our web site www.autoloc.com.

TOP VIEW*



SIDE VIEW*



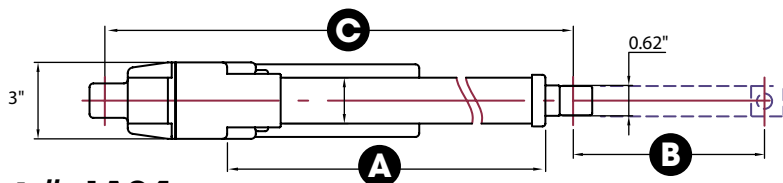
Power Rating DC12V 4.5A • Force 500N Max. • Stroke 100mm • Speed 20mm/sec Max. • Duty Cycle 10% Max. • Motor Type 3423

MODEL	LA2	LA4	LA6	LA8	LA10	LA12	LA24
A	6.75"	6.75"	10.5"	10.5"	14.5"	14.5"	26"
STROKE B	2"	4"	6"	8"	10"	12"	24"
TOTAL LENGTH (RETRACTED) C	10"	10"	13.5"	13.5"	17.5"	17.5"	30"

SPECIFICATIONS SHEET LINEAR ACTUATORS



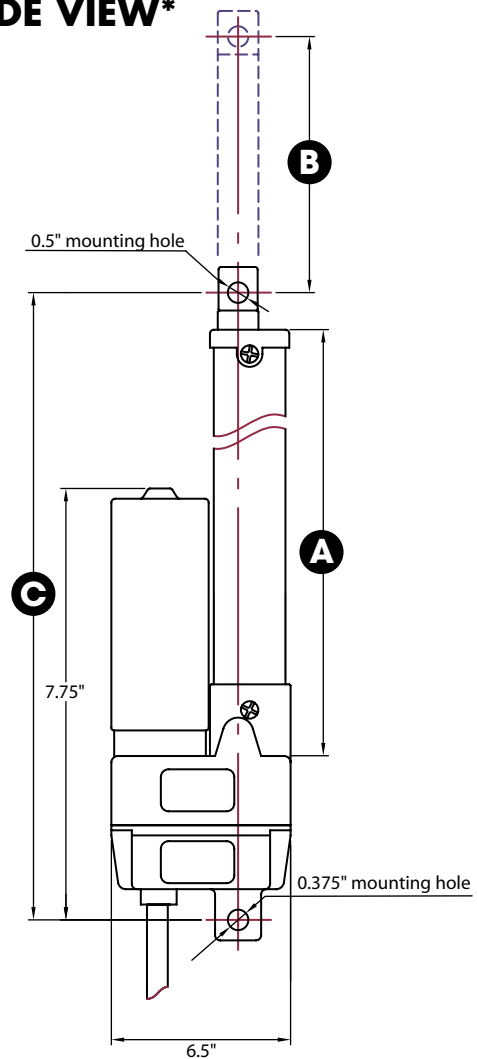
TOP VIEW*



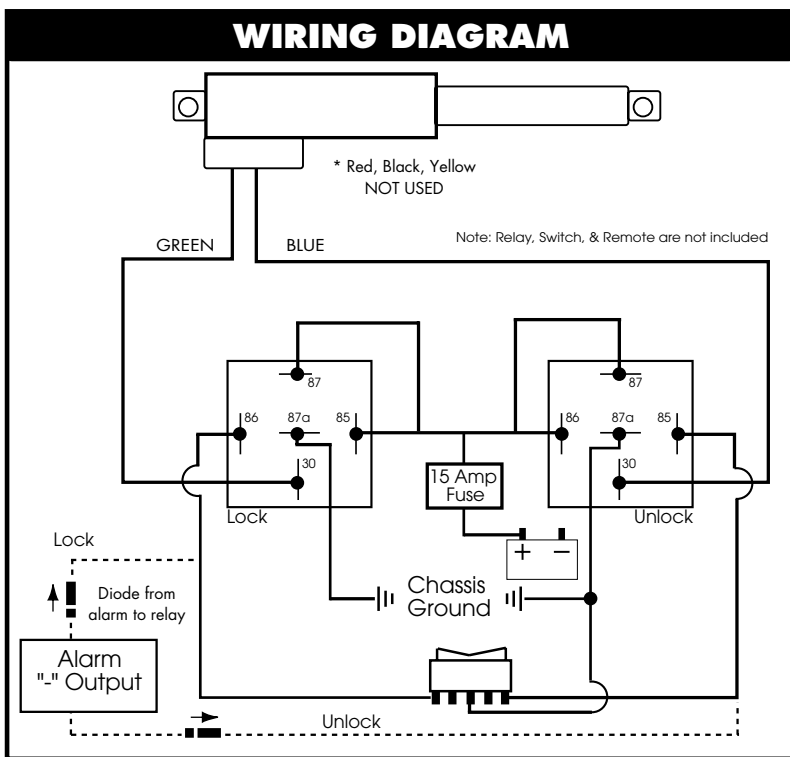
Part #: LA24

*see previous page for chart with LA24 dimensions

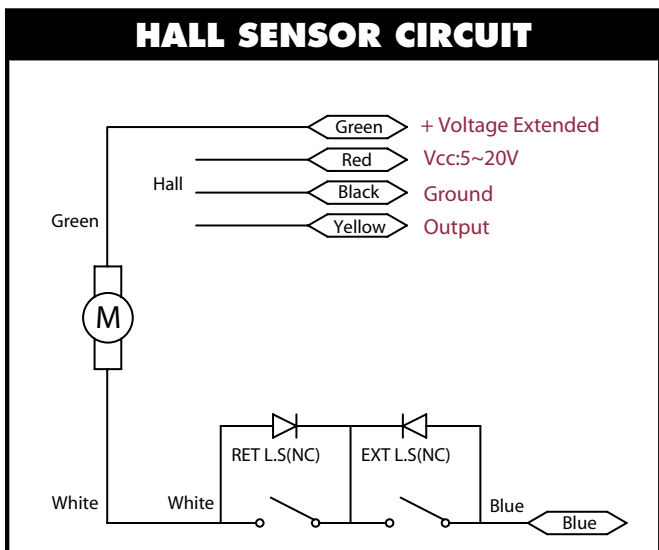
SIDE VIEW*



WIRING DIAGRAM



HALL SENSOR CIRCUIT



MOUNTING IDEAS

